

7" Infrared Ray Multi-Touch Monitor

Products application :

- POS Terminal
- Industrial PC
- Kiosk
- Gaming
- Medical apparatus
- Personal computer
- Mobile GPS
- Office automation
- Security system of the house
- Car-mounted amusement
- Military equipment
- Communicate



AIM-TMIR070-R01W



AIM-TMOPIR070-R01W

Order information :

Touch interface :

Mount type :

AIM-TMIR070-R01W

USB (Multi-Touch*2)

VESA (Without Stand)

AIM-TMOPIR070-R01W

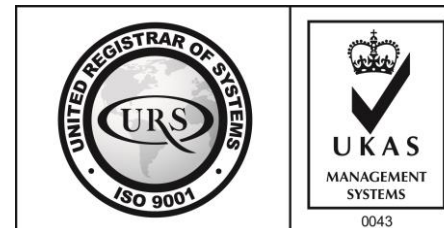
USB (Multi-Touch*2)

VESA (Without Stand)

AIM-TMIR070-R01W V

USB (Multi-Touch*2)

POS Stand (0.8kg)



7" Infrared Ray Multi-Touch Monitor



Display Specifications :

Active Area	154 × 85 mm
Pixel Pitch	0.1506 × 0.1432 mm
Brightness	500 cd/m ²
Contrast Ratio	800 : 1
Resolution	1024 x 600 (WXGA)
Viewing Angle	L/R150° ; U/D145°
Response Time	12ms (Tr + Tf)
Display Colors	262K
Display Modes	640×480 ; 800×600 ; 1024×600
Signal input	VGA ; Audio
Speaker	1W (8Ω) × 1
OSD Keyboard	⊙Power ⊙Auto adjust ⊕ ⊖ ⊙Menu
Power Source	DC 12V (DC Jack Φ2.1mm)
Power Consumption	≤8w
Storage 、 Operation	-30~80°C ; -20~70°C
VESA	75×75 mm
Casing Colors	Black (OEM other colors)
Casing Size 、 Weight	200 × 139 × 48 mm ; 1 kg (W×H×D) (Without Stand)
Carton 、 gross weight	365 × 395 × 170 mm 【 Desktop 】 ; 323 × 259 × 127 mm 【 Embedded 】
Accessory	VGA cable / Audio cable / AC100~240V Adapter / Power cable / USB cable / Cleaning wipes / Driver Disk

※AiM Touch has the right to update specs without further notice



AIM-TMOPIR070-R01W



7" Infrared Ray Multi-Touch Monitor

Touch Feature :

Input Method	It detects anything that blocks lights
Linearity	$\leq 2.5\text{mm}$
Surface	$\geq 7\text{H}$
Life Time	Unlimited
Application	Writing and Signature Capture Capability

Software Feature :

Calibration	4 points or 16 points or 25 points
Draw Test	Position and linearity verification
Controller	Support multiple controllers
Languages	English · Simple Chinese · Traditional Chinese · Japanese · German
Mouse Emulator	Right / left button emulation. Auto Right / left Click (PDA function)
Touch Style	Drawing a Mode · button a Mode · Touch Off/ on Switch
Double Click	Configurable double click speed · Configurable double click area
Sound Modes	No sound · Touch down · Touch up
Display Support	display rotation · Support multiple monitors
Division Pattern	Support two halves and four parts with touch function, you can also create your own division patterns.
Settings:	
Edge compensation	Support edge compensation and you can also add your own numbers for it.
Support O.S	All Windows-32/64bit O.S Android ; Linux ; MAC



AIM-TMIR070-R01W V



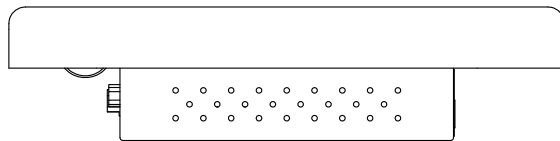
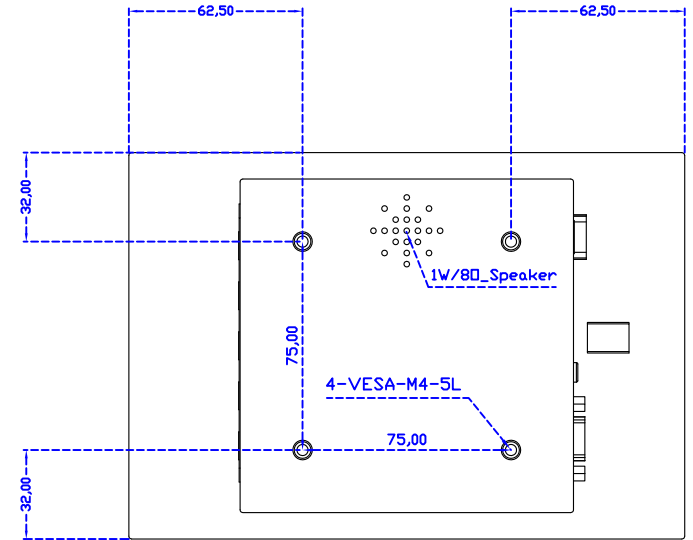
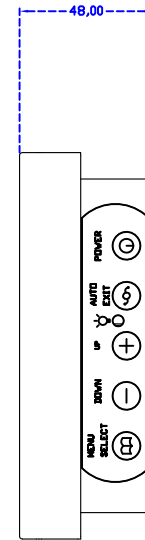
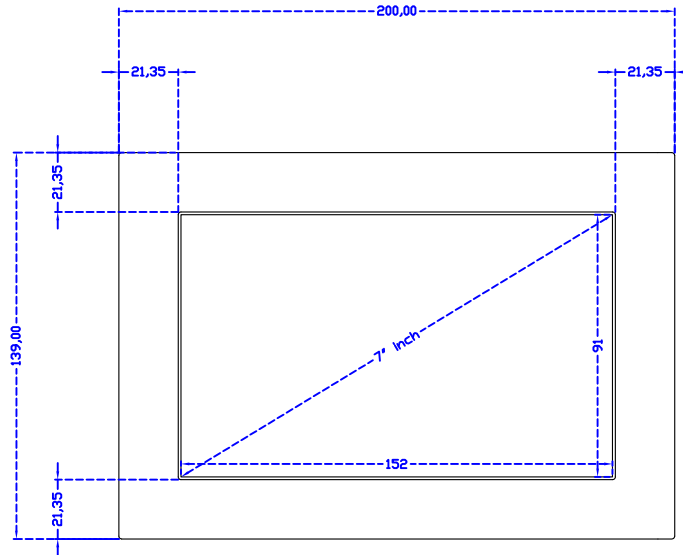
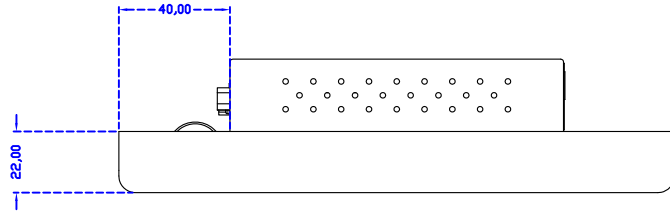
3 Year Warranty
LCD Panel 1 Year

Touch USB/RS232

DC12V

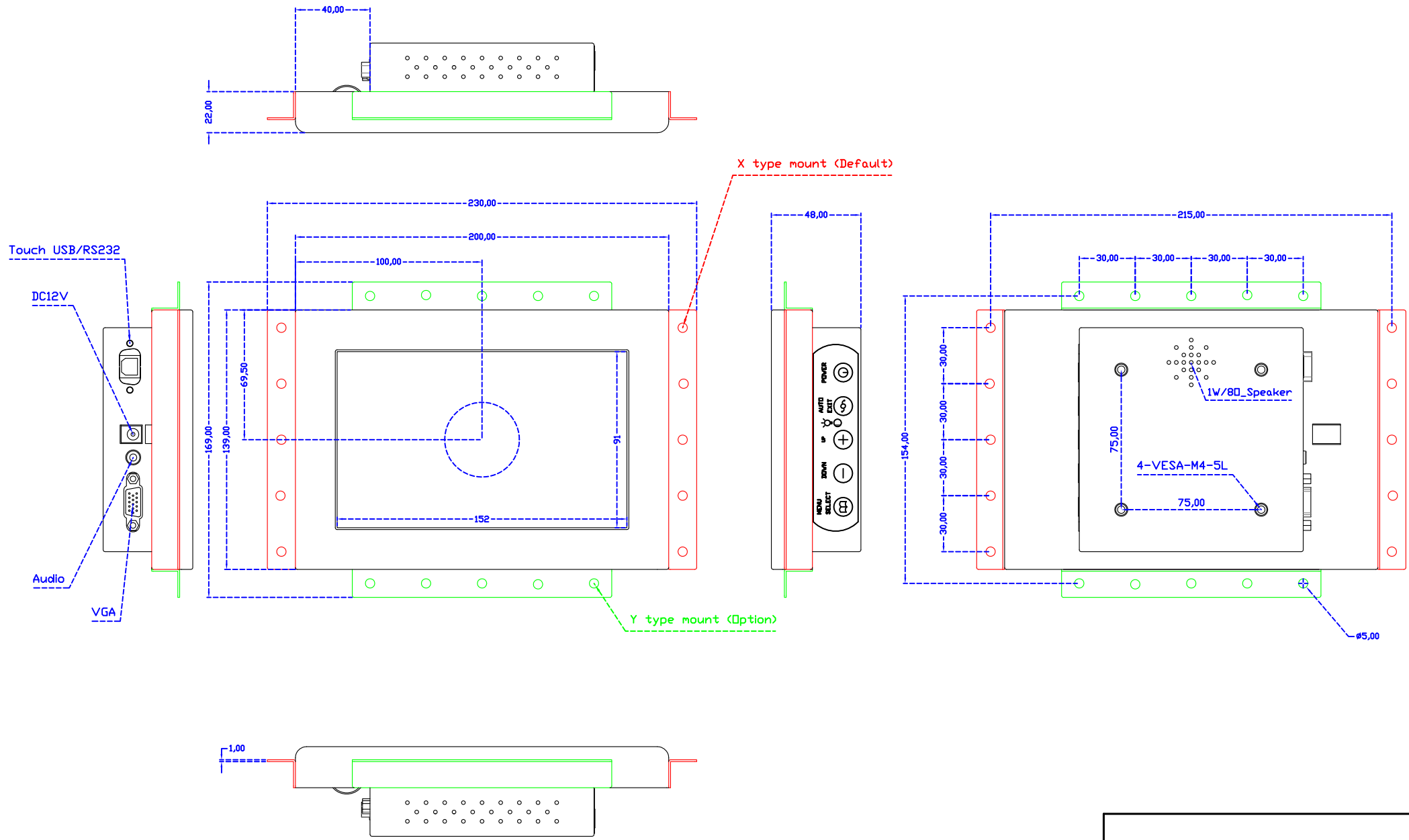
Audio

VGA



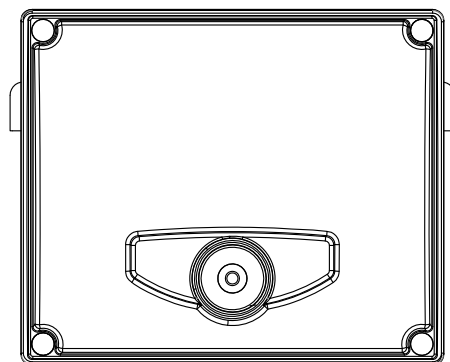
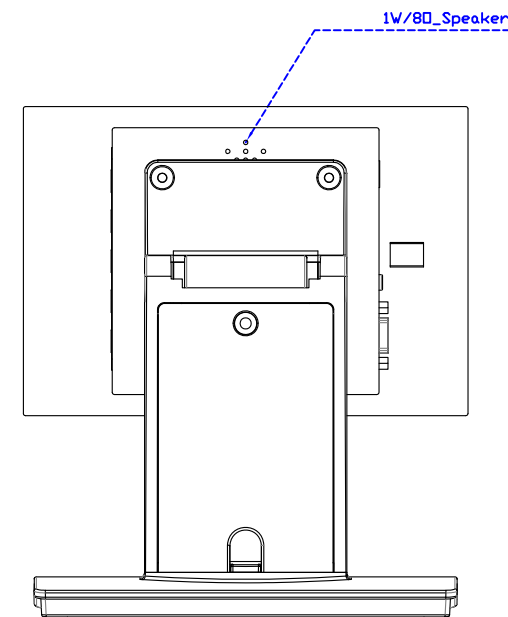
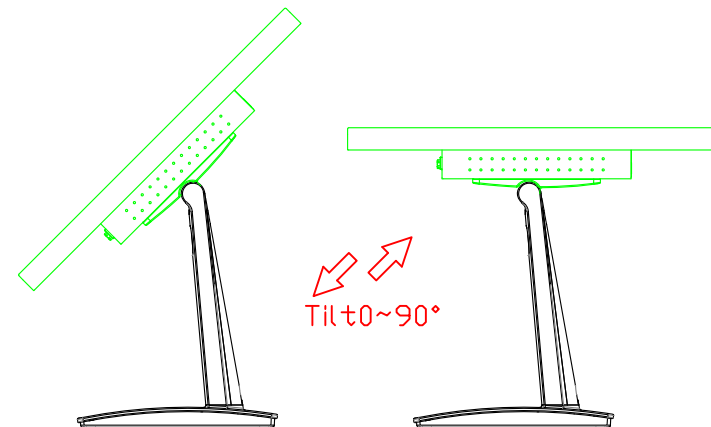
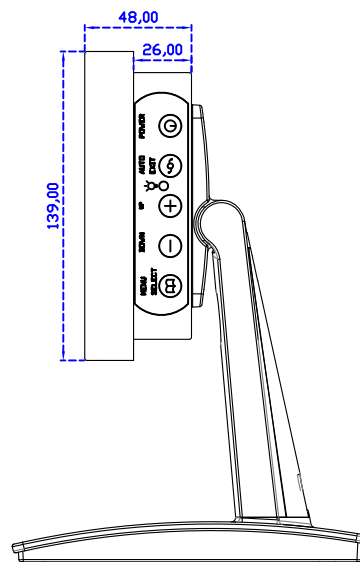
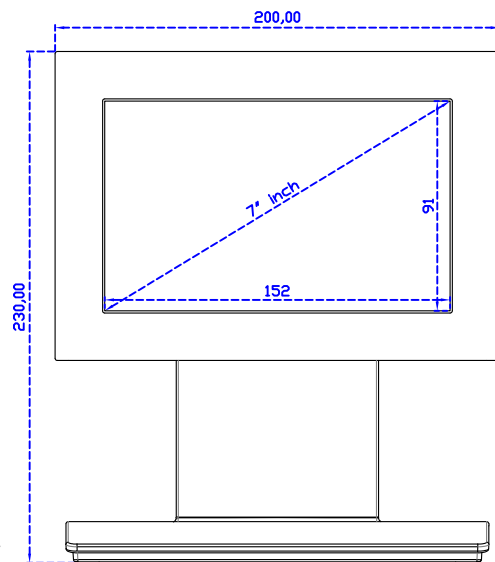
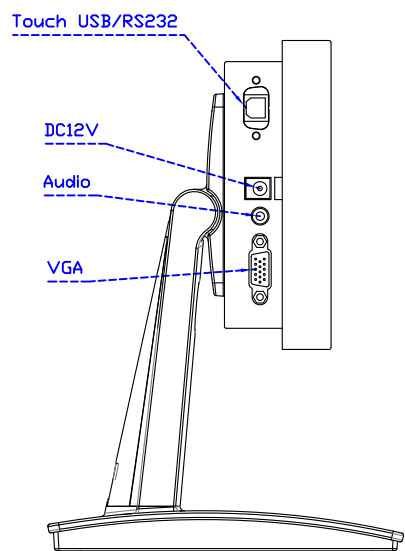
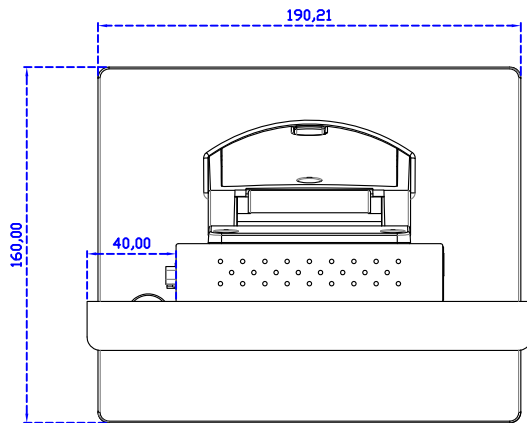
7" Touch Monitor.
(VESA Mount)

AIM-TMIR070-R01W



7" Embedded Touch Monitor.
(Open Frame)

AIM-TM0PIR070-R01W



7" Desktop Touch Monitor.
(POS Stand)

AIM-TMIR070-R01W V