

## 10.4" Resistive Single Touch Monitor

### Products application :

- POS Terminal
- Industrial PC
- Kiosk
- Gaming
- Medical apparatus
- Personal computer
- Mobile GPS
- Office automation
- Security system of the house
- Car-mounted amusement
- Military equipment
- Communicate



AIM-TM5R104-R15



AIM-TMOP5R104-R15

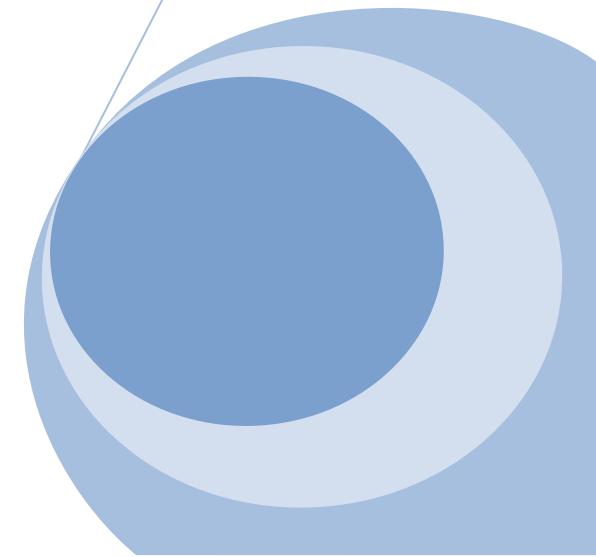
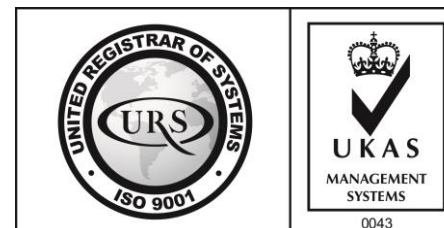
### Order information :

### Touch interface :

### Mount type :

AIM-TM5R104-R15	USB	VESA ( Without Stand )
AIM-TM5R104-R16	RS232	
AIM-TMOP5R104-R15	USB	VESA ( Without Stand )
AIM-TMOP5R104-R16	RS232	
AIM-TM5R104-R15 A	USB	Foldable Stand ( 1.4kg )
AIM-TM5R104-R16 A	RS232	

AIM-TM5R104-R15 V	USB	POS Stand ( 0.8kg )
AIM-TM5R104-R16 V	RS232	



## 10.4" Resistive Single Touch Monitor

### Display Specifications :

Active Area	210 × 157 mm
Pixel Pitch	0.0685 × 0.2055 mm
Brightness	500 cd/m <sup>2</sup>
Contrast Ratio	1000 : 1
Resolution	1024 x 768 ( XGA )
Viewing Angle	L/R176° ; U/D176°
Response Time	25ms ( Tr + Tf )
Display Colors	16.2M
Display Modes	640×480 ; 800×600 ; 1024×768
Signal input	VGA ; Audio ; Display Port ; HDMI
Speaker	1W ( 8Ω ) × 1
OSD Keyboard	⊙Power ⊙Auto adjust ⊕+ ⊖- ⊙Menu
Power Source	DC 12V ( DC Jack Φ2.1mm )
Power Consumption	≤15w
Storage 、 Operation	-30~85°C ; -30~85°C
VESA	75×75 ; 100×100 mm
Casing Colors	Black ( OEM other colors )
Casing Size 、 Weight	54.8 × 196.9 × 45.5 mm ; 1.5 kg ( W×H×D ) ( Without Stand )
Carton 、 gross weight	365 × 395 × 170 mm ; 2.9 kg ( W×H×D )
Accessory	VGA cable / HDMI cable / Audio cable / AC100~240V Adapter / Power cable / USB or RS232 cable / Touch pen / Cleaning wipes / Driver Disk <span style="background-color: yellow;">※DP cable ( Optional )</span>

※AiM Touch has the right to update specs without further notice



AIM-TM5R104-R15 A



## 10.4" Resistive Single Touch Monitor

### Touch Feature :

Input Method	Finger, gloved hand, or stylus activation
Activation Force	≤50g
Linearity	≤1.5%
Surface	≥3H
Life Time	≥35,000,000
Application	Writing and Signature Capture Capability

### Software Feature :

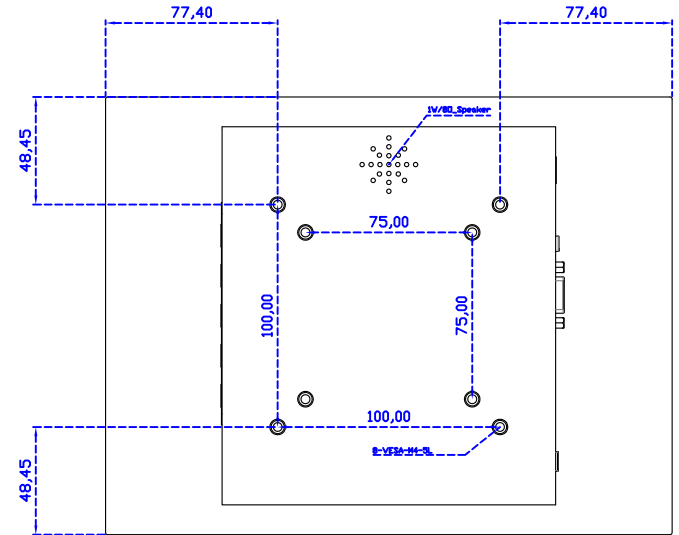
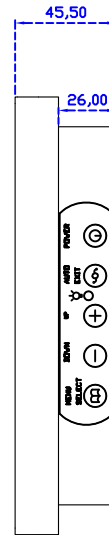
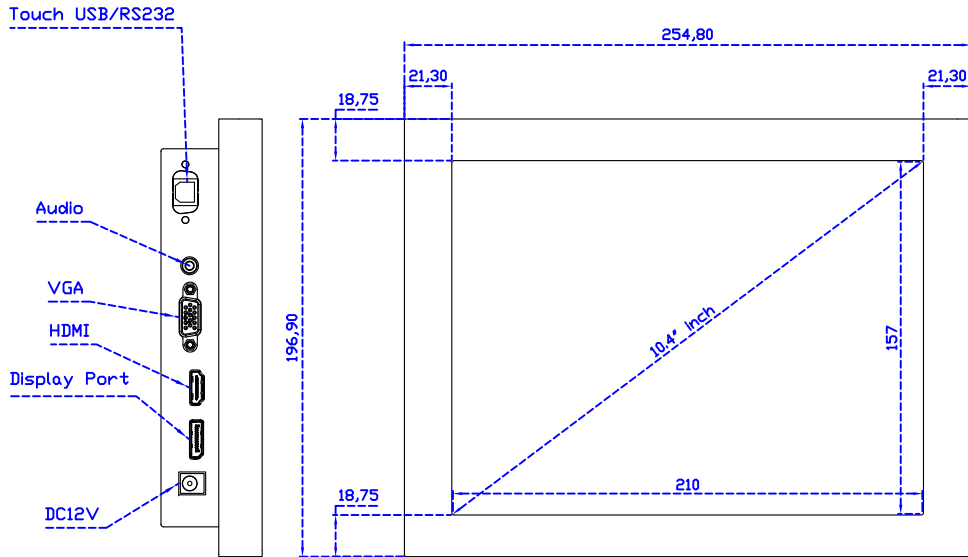
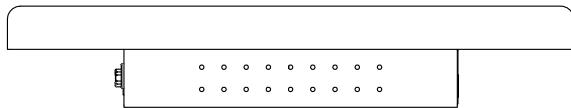
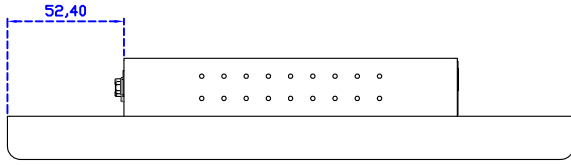
Calibration	Fast full oriental 4 points position
Compensation	Edge compensation. Accuracy 25 points linearity compensation
Draw Test	Position and linearity verification
Controller	Support multiple controllers
Languages	English · Simple Chinese · Traditional Chinese · Japanese · French · German · Spanish · Korean · Arabic · Czech · Danish · Dutch · Greek · Hungarian · Italian · Norwegian · Russian · Polish · Portuguese · Slovenian · Swedish · Thai · Turkish
Mouse Emulator	Right / left button emulation. Auto Right / left Click ( PDA function )
Touch Style	Drawing a Mode · button a Mode · Touch Off/ on Switch
Double Click	Configurable double click speed · Configurable double click area
Sound Modes	No sound · Touch down · Touch up
COM Port Support	COM1 ~ COM255 for Windows and Linux COM1 ~ COM8 for MS- DOS
Display Support	display rotation · Support multiple monitors
Support O.S	All Windows-32/64bit O.S Android ; Linux ; MAC



AIM-TM5R104-R15 V

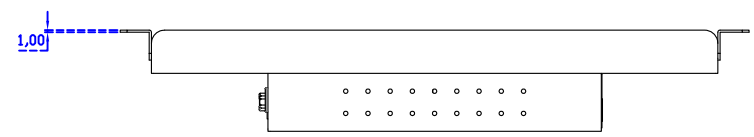
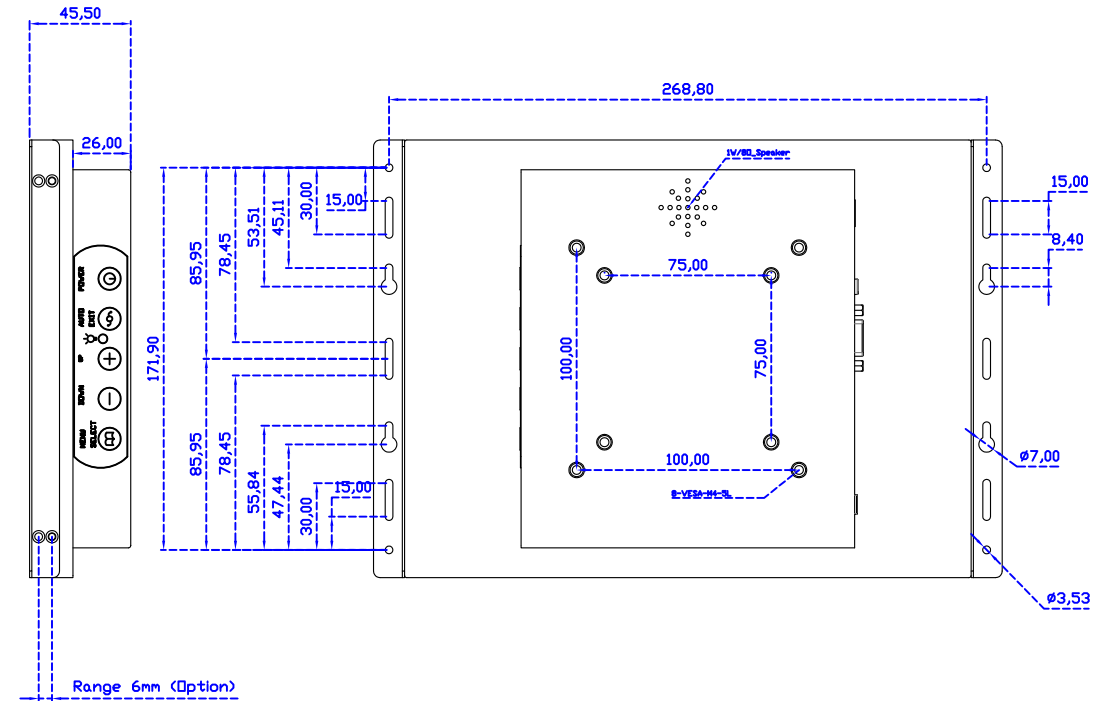
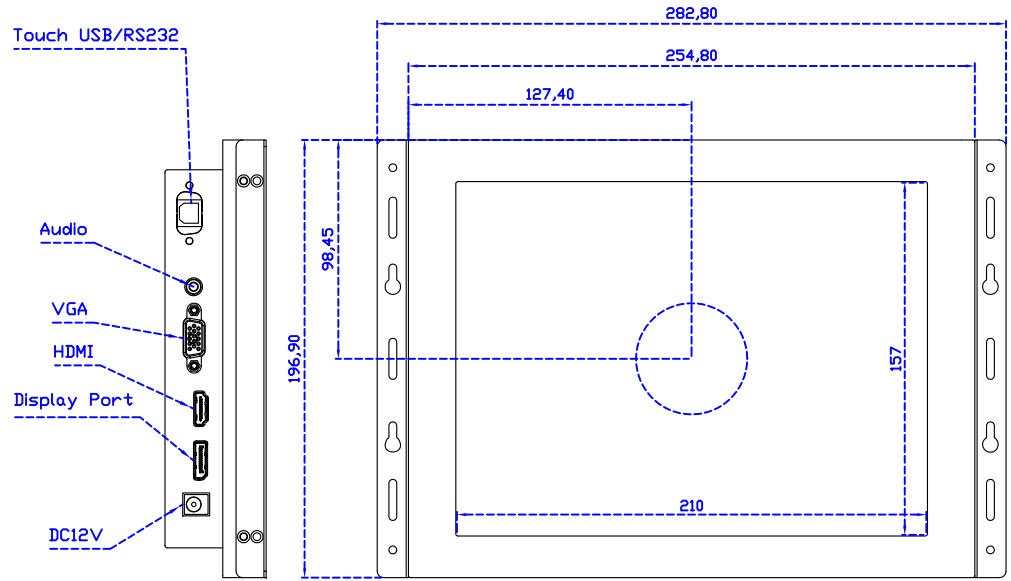
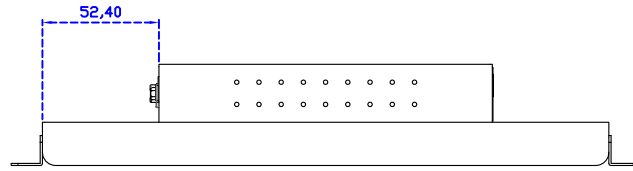


**3 Year Warranty**  
LCD Panel 1 Year



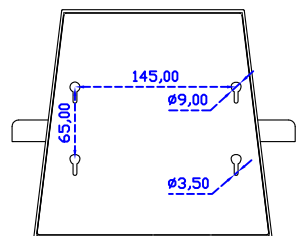
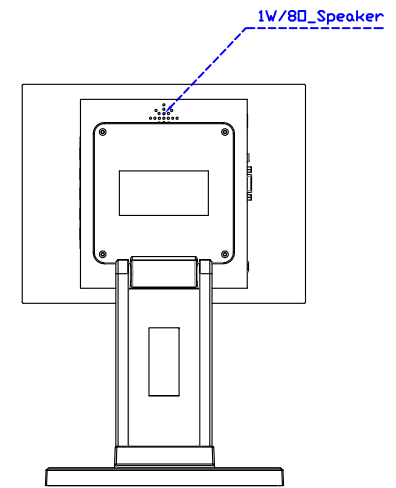
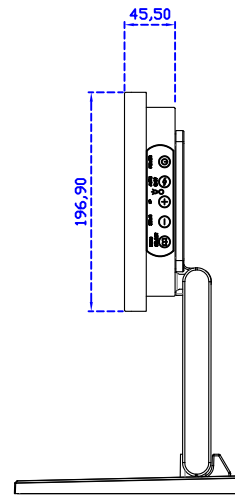
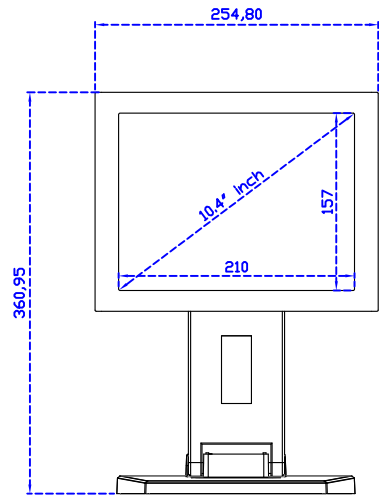
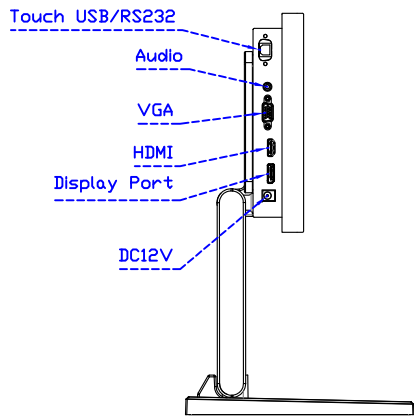
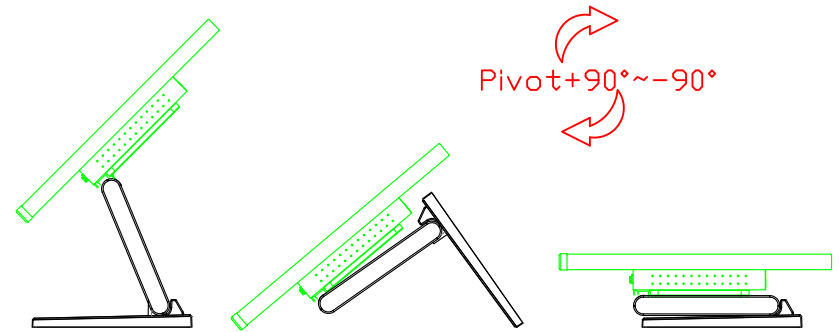
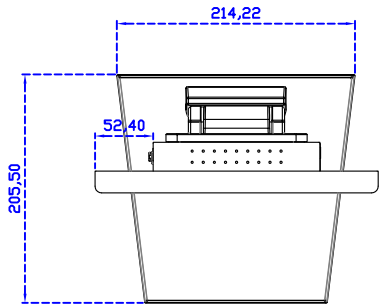
10,4" Touch Monitor.  
(VESA Mount)

AIM-TMxxxx104-R15



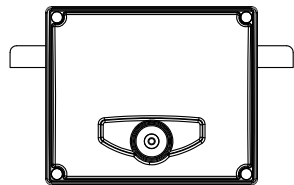
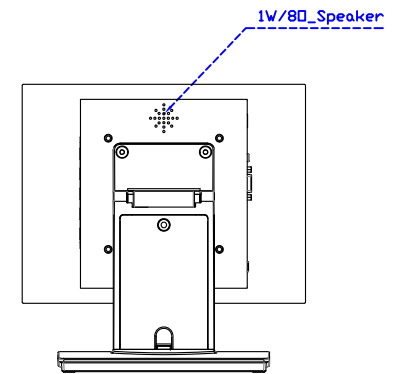
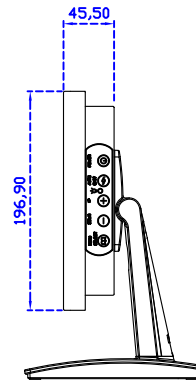
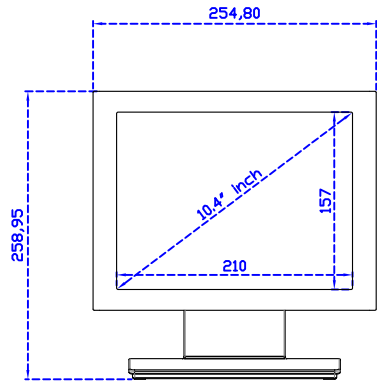
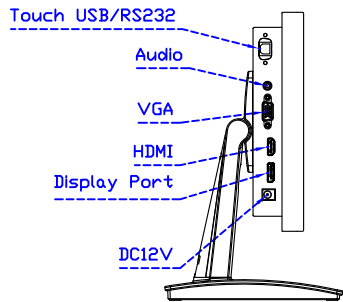
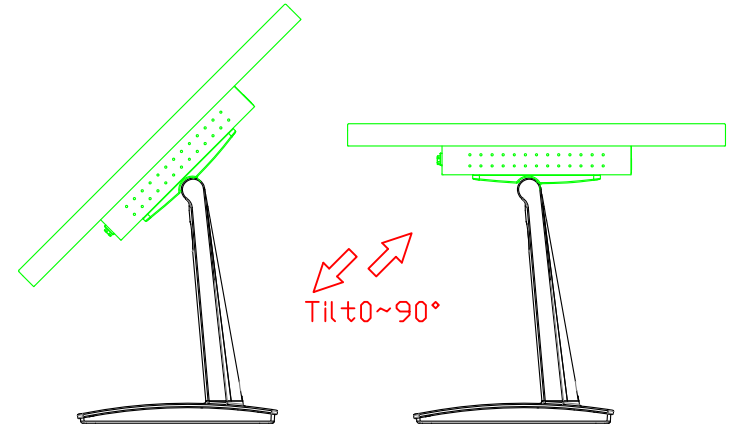
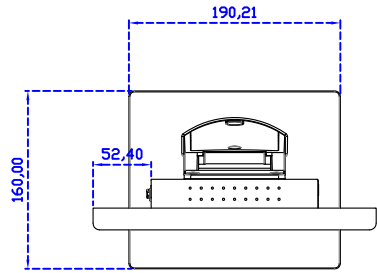
10.4" Embedded Touch Monitor.  
(Open Frame)

AIM-TMOPxxxx104-R15



10.4" Desktop Touch Monitor.  
(Foldable Stand)

AIM-TMxxxx104-R15 A



10.4" Desktop Touch Monitor.  
(POS Stand)

AIM-TMxxxx104-R15 V