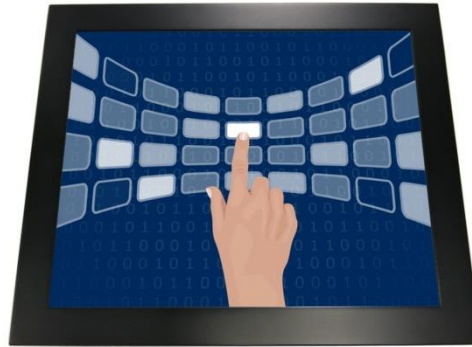


12.1" Resistive Single Touch Monitor (Embedded)

Products application :

- POS Terminal
- Industrial PC
- Kiosk
- Gaming
- Medical apparatus
- Personal computer
- Mobile GPS
- Office automation
- Security system of the house
- Car-mounted amusement
- Military equipment
- Communicate



AIM-PM5R121-R25



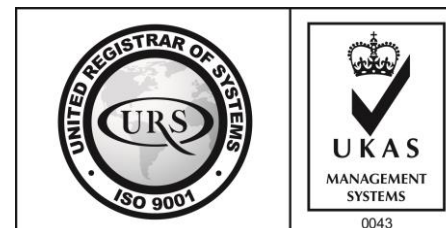
AIM-TMOP5R121-R25

Order information :

Touch interface :

Mount type :

AIM-PM5R121-R25	USB	Embedded (Panel Mount)
AIM-PM5R121-R26	RS232	
AIM-TMOP5R121-R25	USB	Embedded (Open Frame)
AIM-TMOP5R121-R26	RS232	



12.1" Resistive Single Touch Monitor (Embedded)

Display Specifications :

Active Area	245 × 184 mm
Pixel Pitch	0.240 × 0.240 mm
Brightness	500 cd/m ²
Contrast Ratio	1000 : 1
Resolution	1024 x 768 (XGA)
Viewing Angle	L/R178° ; U/D178°
Response Time	25ms (Tr + Tf)
Display Colors	16.7M
Display Modes	640×480 ; 800×600 ; 1024×768
Signal input	VGA ; Audio ; Display Port ; HDMI
Speaker	1W (8Ω) × 2
OSD Keyboard	⊙Power ⊙Auto adjust ⊕ ⊖ ⊙Menu
Power Source	DC 12V (DC Jack Φ2.1mm)
Power Consumption	≤15w
Storage 、 Operation	-40~80°C ; -30~70°C
VESA	75×75 ; 100×100 mm
Casing Colors	Black (OEM other colors)
Casing Size 、 Weight	【 PM 323.7×262.4×45 mm 2.4 kg 】 ; 【 OP 320.2×252×39 mm 2.1kg 】 (W×H×D)
Carton 、 gross weight	416 × 160 × 355 mm 【 PM 3.1 kg 】 ; 【 OP 2.9 kg 】 (W×H×D)
Accessory	VGA cable / HDMI cable / Audio cable / AC100~240V Adapter / Power cable / USB or RS232 cable / Touch pen / Cleaning wipes / Driver Disk ※DP cable (Optional)

※AiM Touch has the right to update specs without further notice



AIM-PM5R121-R25

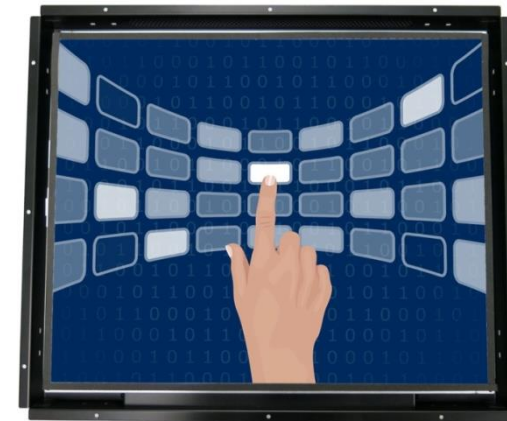
12.1" Resistive Single Touch Monitor (Embedded)

Touch Feature :

Input Method	Finger, gloved hand, or stylus activation
Activation Force	≤50g
Linearity	≤1.5%
Surface	≥3H
Life Time	≥35,000,000
Application	Writing and Signature Capture Capability

Software Feature :

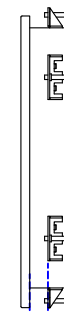
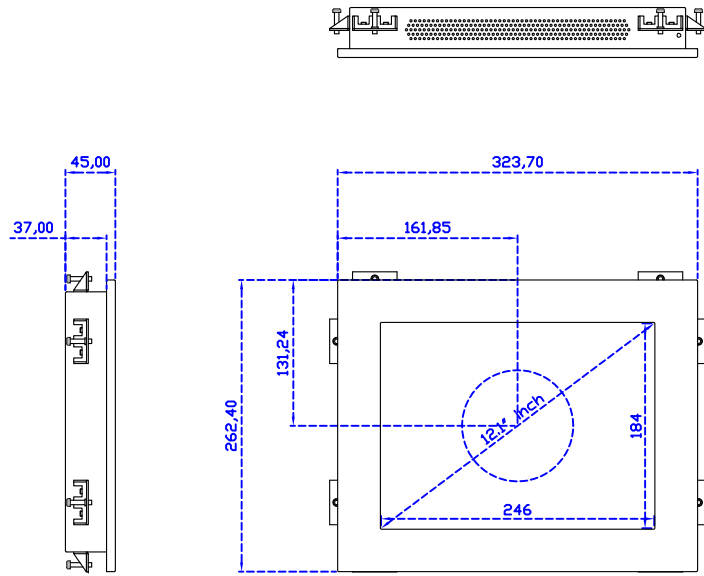
Calibration	Fast full oriental 4 points position
Compensation	Edge compensation. Accuracy 25 points linearity compensation
Draw Test	Position and linearity verification
Controller	Support multiple controllers
Languages	English · Simple Chinese · Traditional Chinese · Japanese · French · German · Spanish · Korean · Arabic · Czech · Danish · Dutch · Greek · Hungarian · Italian · Norwegian · Russian · Polish · Portuguese · Slovenian · Swedish · Thai · Turkish
Mouse Emulator	Right / left button emulation. Auto Right / left Click (PDA function)
Touch Style	Drawing a Mode · button a Mode · Touch Off/ on Switch
Double Click	Configurable double click speed · Configurable double click area
Sound Modes	No sound · Touch down · Touch up
COM Port Support	COM1 ~ COM255 for Windows and Linux COM1 ~ COM8 for MS- DOS
Display Support	display rotation · Support multiple monitors
Support O.S	All Windows-32/64bit O.S Android ; Linux ; MAC



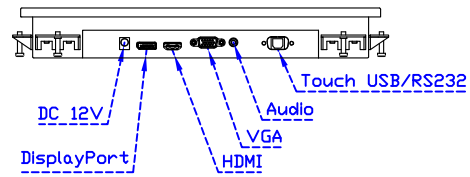
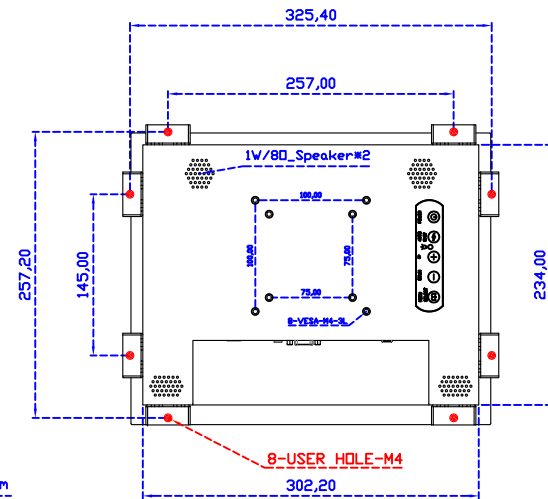
AIM-TMOP5R121-R25



3 Year Warranty
LCD Panel 1 Year

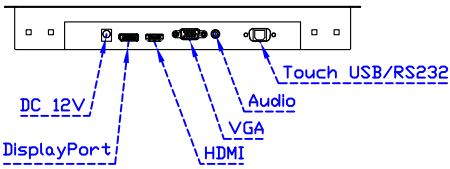
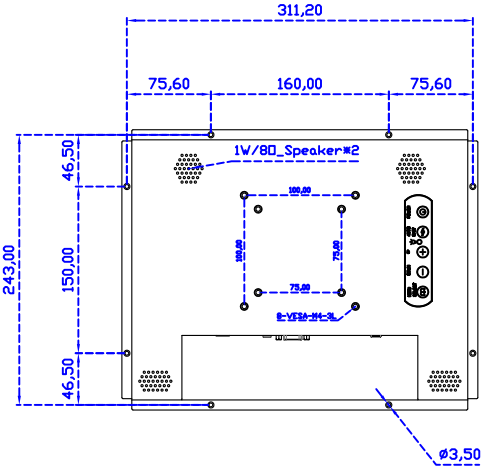
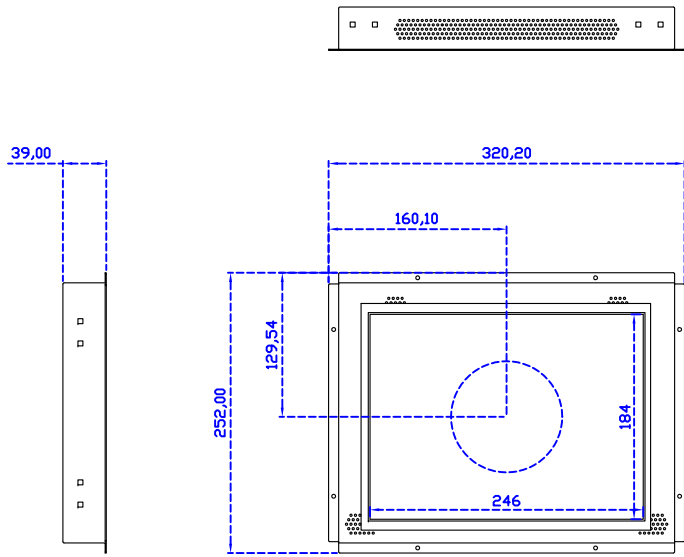


Suggested Wall Thickness 1-16mm



12.1" Embedded Touch Monitor.
(Panel Mount)

AIM-PMxxxx121-R25



12.1" Embedded Touch Monitor.
(Open Frame)

AIM-TMOPxxxx121-R25