

12.1" Infrared Ray Multi-Touch Monitor

Products application :

- POS Terminal
- Industrial PC
- Kiosk
- Gaming
- Medical apparatus
- Personal computer
- Mobile GPS
- Office automation
- Security system of the house
- Car-mounted amusement
- Military equipment
- Communicate



AIM-TMIR121-R03



AIM-TMOPIR121-R03

Order information :

Touch interface :

Mount type :

AIM-TMIR121-R03

USB (Multi-Touch*2)

VESA (Without Stand)

AIM-TMOPIR121-R03

USB (Multi-Touch*2)

VESA (Without Stand)

AIM-TMIR121-R03 A

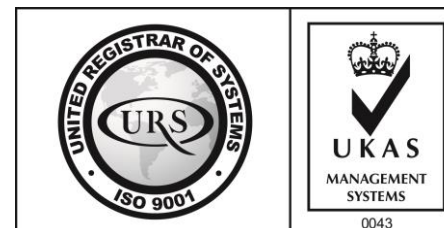
USB (Multi-Touch*2)

Foldable Stand (1.4kg)

AIM-TMIR121-R03 V

USB (Multi-Touch*2)

POS Stand (0.8kg)



12.1" Infrared Ray Multi-Touch Monitor

Display Specifications :

Active Area	245 × 184 mm
Pixel Pitch	0.240 × 0.240 mm
Brightness	500 cd/m ²
Contrast Ratio	1000 : 1
Resolution	1024 x 768 (XGA)
Viewing Angle	L/R178° ; U/D178°
Response Time	25ms (Tr + Tf)
Display Colors	16.7M
Display Modes	640×480 ; 800×600 ; 1024×768
Signal input	VGA ; Audio ; DVI
Speaker	1W (8Ω) × 1
OSD Keyboard	⊙Power ⊙Auto adjust ⊕ ⊖ ⊙Menu
Power Source	DC 12V (DC Jack Φ2.1mm)
Power Consumption	≤15w
Storage 、 Operation	-40~80°C ; -30~70°C
VESA	75×75 ; 100×100 mm
Casing Colors	Black (OEM other colors)
Casing Size 、 Weight	292 × 230 × 48 mm ; 2.2 kg (W×H×D) (Without Stand)
Carton 、 gross weight	365 × 395 × 170 mm ; 3.5 kg (W×H×D)
Accessory	VGA cable / Audio cable / AC100~240V Adapter / Power cable / USB cable / Cleaning wipes / Driver Disk ※DVI cable (Optional)



AIM-TMIR121-R03 A



※AiM Touch has the right to update specs without further notice



12.1" Infrared Ray Multi-Touch Monitor

Touch Feature :

Input Method	It detects anything that blocks lights
Linearity	≤2.5mm
Surface	≥7H
Life Time	Unlimited
Application	Writing and Signature Capture Capability

Software Feature :

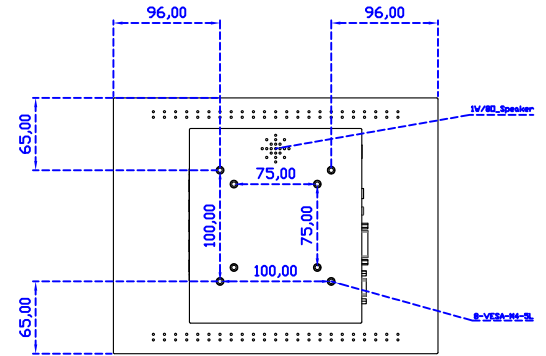
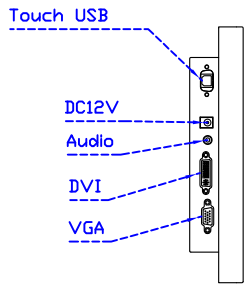
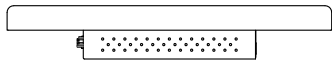
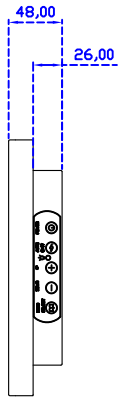
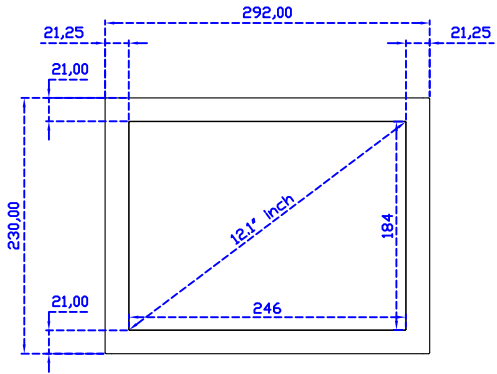
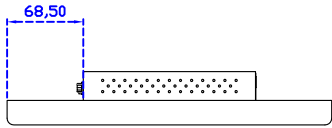
Calibration	4 points or 16 points or 25 points
Draw Test	Position and linearity verification
Controller	Support multiple controllers
Languages	English · Simple Chinese · Traditional Chinese · Japanese · German
Mouse Emulator	Right / left button emulation. Auto Right / left Click (PDA function)
Touch Style	Drawing a Mode · button a Mode · Touch Off/ on Switch
Double Click	Configurable double click speed · Configurable double click area
Sound Modes	No sound · Touch down · Touch up
Display Support	display rotation · Support multiple monitors
Division Pattern	Support two halves and four parts with touch function, you can also create your own division patterns.
Settings:	
Edge compensation	Support edge compensation and you can also add your own numbers for it.
Support O.S	All Windows-32/64bit O.S Android ; Linux ; MAC



AIM-TMIR121-R03 V

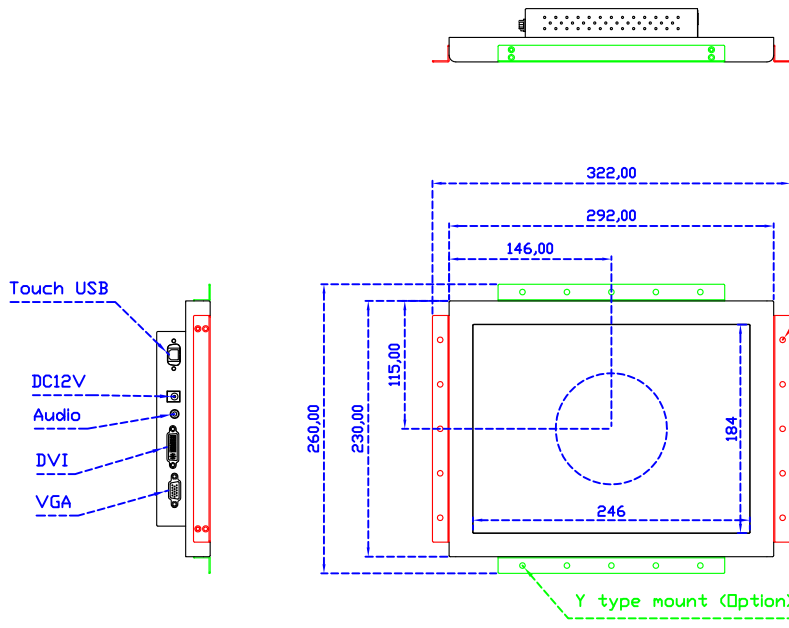


3 Year Warranty
LCD Panel 1 Year

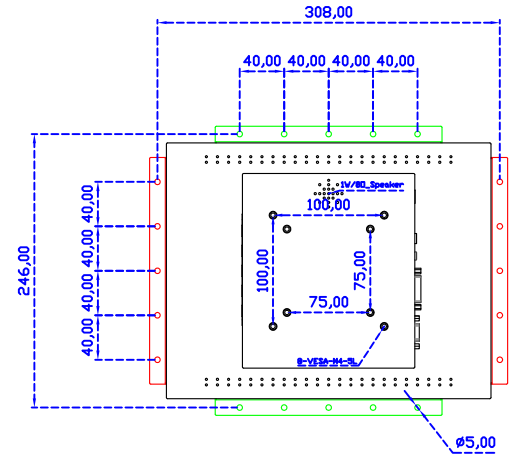
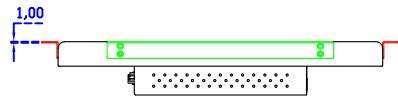
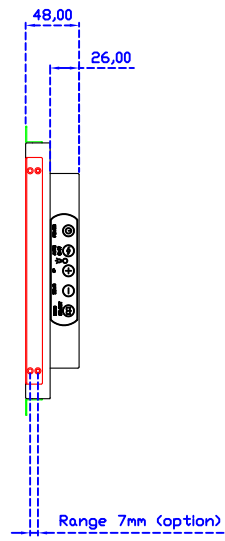


12.1" Touch Monitor.
(VESA Mount)

AIM-TMIR121-R03

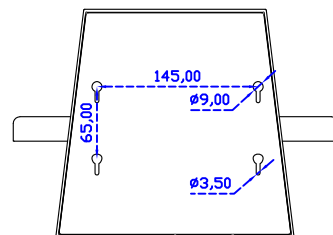
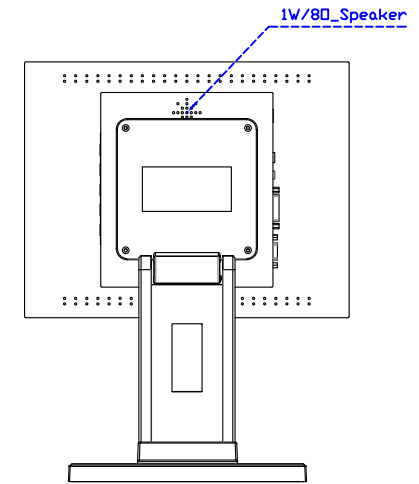
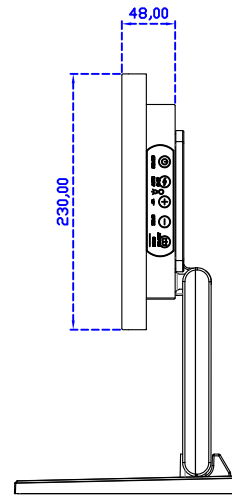
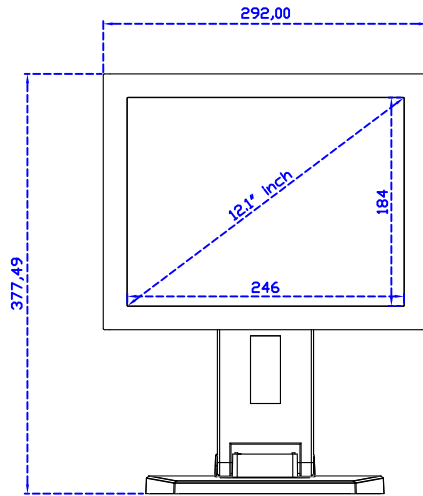
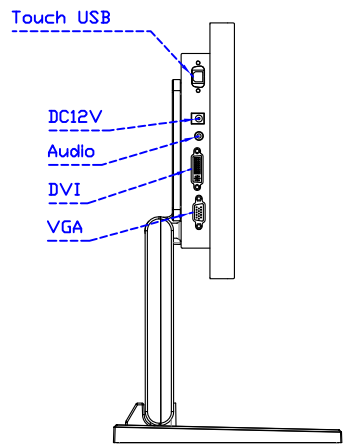
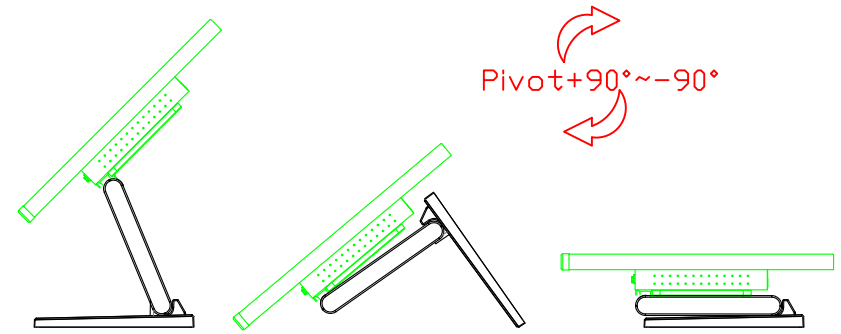
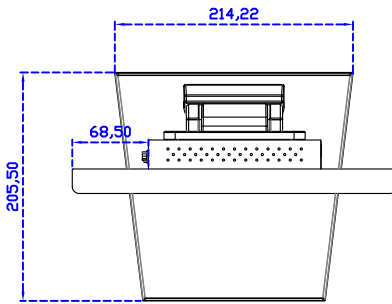


X type mount (Default)



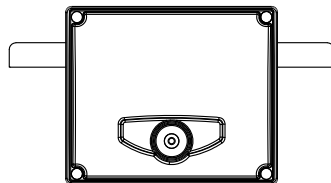
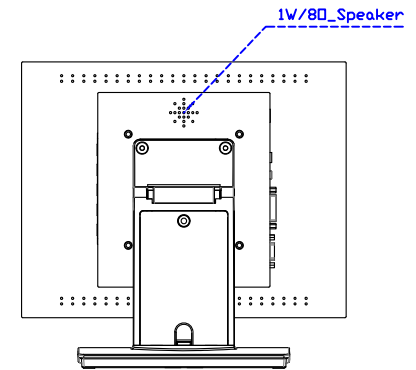
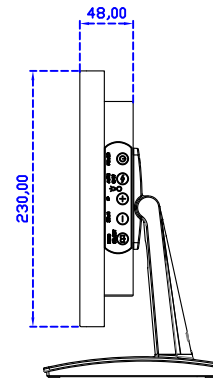
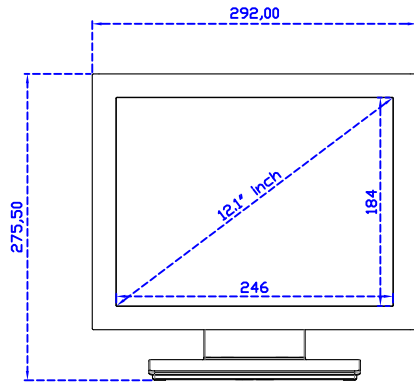
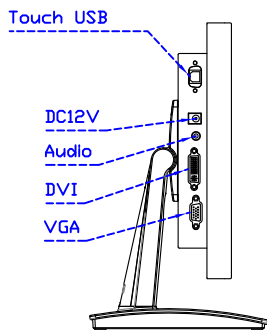
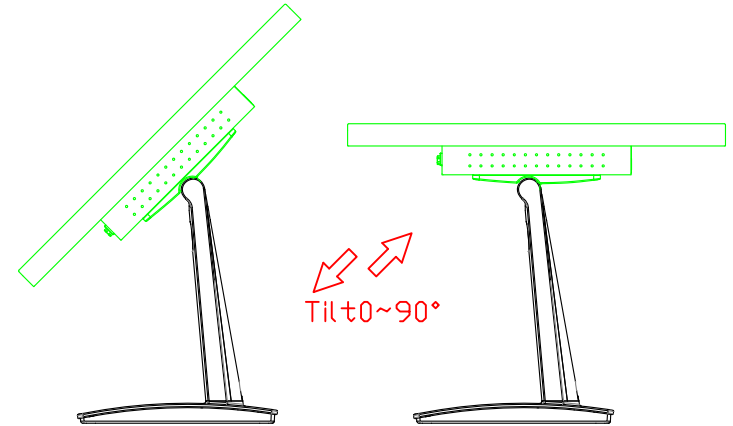
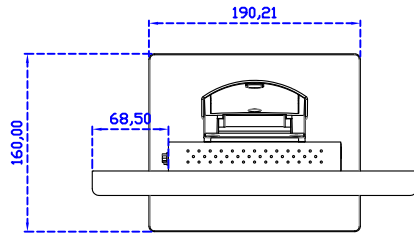
12.1" Embedded Touch Monitor.
(Open Frame)

AIM-TMOP1R121-R03



12.1" Desktop Touch Monitor.
(Foldable Stand)

AIM-TMIR121-R03 A



12.1" Desktop Touch Monitor.
(POS Stand)

AIM-TMIR121-R03 V