

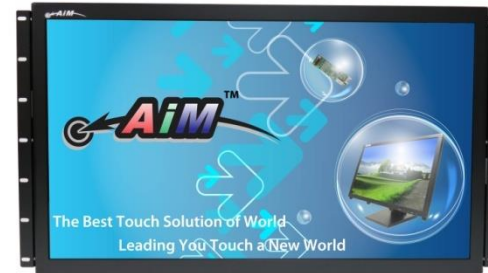
14" Resistive Single Touch Monitor

Products application :

- POS Terminal
- Industrial PC
- Kiosk
- Gaming
- Medical apparatus
- Personal computer
- Mobile GPS
- Office automation
- Security system of the house
- Car-mounted amusement
- Military equipment
- Communicate



AIM-TM5R140-R03W



AIM-TMOP5R140-R03W

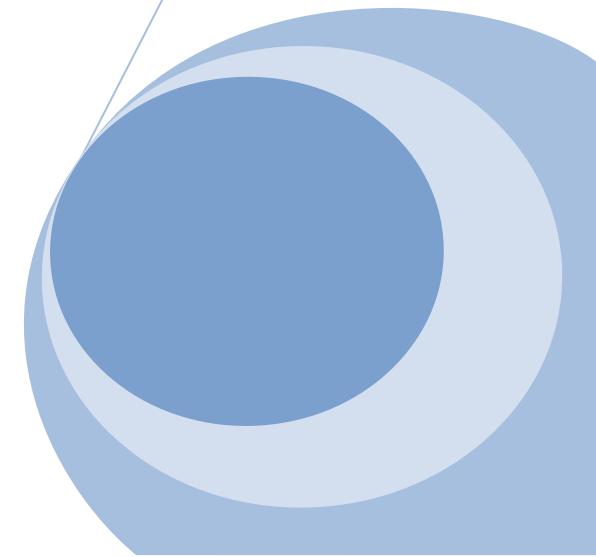
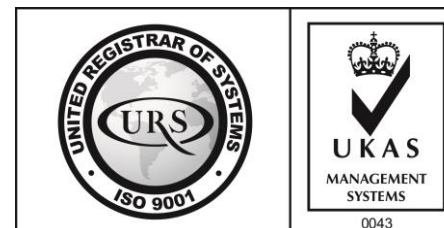
Order information :

Touch interface :

Mount type :

AIM-TM5R140-R03W	USB	VESA (Without Stand)
AIM-TM5R140-R04W	RS232	
AIM-TMOP5R140-R03W	USB	Embedded (Open Frame)
AIM-TMOP5R140-R04W	RS232	
AIM-TM5R140-R03W A	USB	Foldable Stand (1.4kg)
AIM-TM5R140-R04W A	RS232	

AIM-TM5R140-R03W V	USB	POS Stand (1.2kg)
AIM-TM5R140-R04W V	RS232	
AIM-TM5R140-R03W Y	USB	Ergonomic Stand (3kg)
AIM-TM5R140-R04W Y	RS232	



14" Resistive Single Touch Monitor

Display Specifications :

Active Area	309 × 173 mm
Pixel Pitch	0.537 × 0.1611 mm
Brightness	390 cd/m ²
Contrast Ratio	800 : 1
Resolution	1920 x 1080 (Full HD)
Viewing Angle	L/R170° ; U/D170°
Response Time	12ms (Tr + Tf)
Display Colors	16.7M
Display Modes	800×600 ; 1024×768 ; 1280×720 ; 1280×800 ; 1280×1024 ; 1360×768 ; 1440×900 ; 1680×1050 ; 1920×1080
Signal input	VGA ; Audio ; Display Port ; HDMI
Speaker	1W (8Ω) × 2
OSD Keyboard	⊙Power ⊙Auto adjust ⊕ ⊖ ⊙Menu
Power Source	DC 12V (DC Jack Φ2.1mm)
Power Consumption	≤10w
Storage 、 Operation	-20~60°C ; 0~50°C
VESA	75×75 ; 100×100 mm
Casing Colors	Black (OEM other colors)
Casing Size 、 Weight	336 × 215 × 42 mm ; 2.4 kg (W×H×D) (Without Stand)
Carton 、 gross weight	550 × 395 × 170 mm ; 4 kg (W×H×D)
Accessory	VGA cable/HDMI cable/Audio cable/AC100~240V Adapter/Power cable/USB or RS232 cable/Touch pen/Cleaning wipes/Driver Disk ※DP cable (Optional)

※AiM Touch has the right to update specs without further notice



AIM-TM5R140-R03W A



14" Resistive Single Touch Monitor

Touch Feature :

Input Method	Finger, gloved hand, or stylus activation
Activation Force	≤50g
Linearity	≤1.5%
Surface	≥3H
Life Time	≥35,000,000
Application	Writing and Signature Capture Capability



AIM-TM5R140-R03W V

Software Feature :

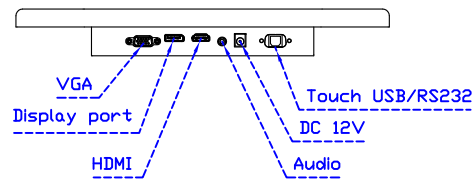
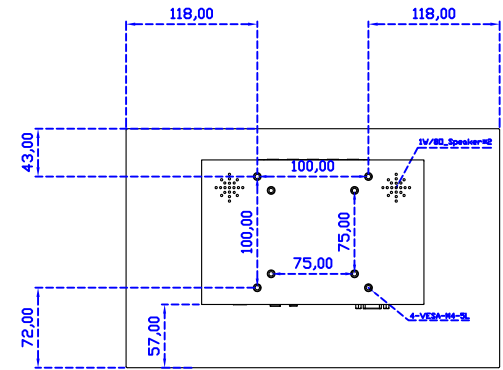
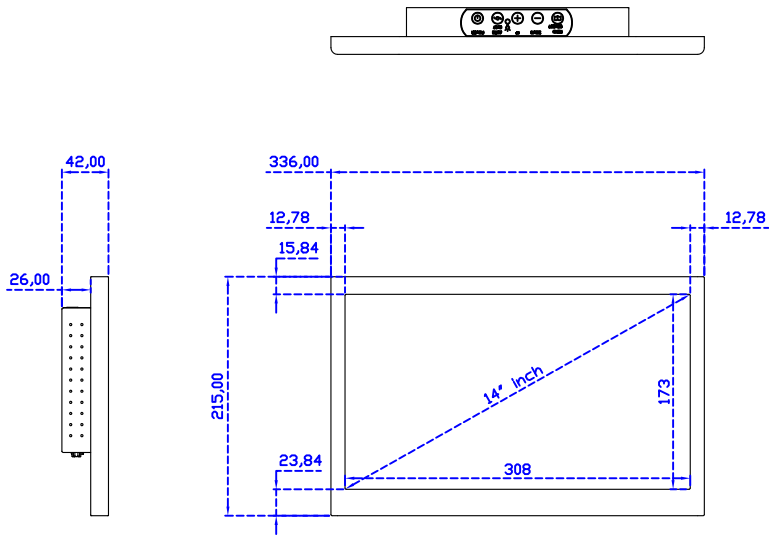
Calibration	Fast full oriental 4 points position
Compensation	Edge compensation. Accuracy 25 points linearity compensation
Draw Test	Position and linearity verification
Controller	Support multiple controllers
Languages	English · Simple Chinese · Traditional Chinese · Japanese · French · German · Spanish · Korean · Arabic · Czech · Danish · Dutch · Greek · Hungarian · Italian · Norwegian · Russian · Polish · Portuguese · Slovenian · Swedish · Thai · Turkish
Mouse Emulator	Right / left button emulation. Auto Right / left Click (PDA function)
Touch Style	Drawing a Mode · button a Mode · Touch Off/ on Switch
Double Click	Configurable double click speed · Configurable double click area
Sound Modes	No sound · Touch down · Touch up
COM Port Support	COM1 ~ COM255 for Windows and Linux COM1 ~ COM8 for MS- DOS
Display Support	display rotation · Support multiple monitors
Support O.S	All Windows-32/64bit O.S Android ; Linux ; MAC



AIM-TM5R140-R03W Y

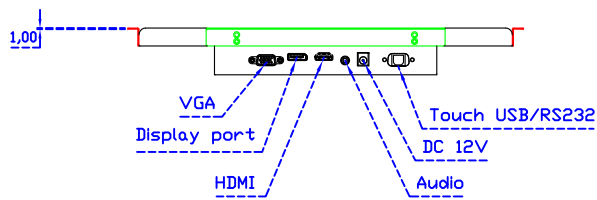
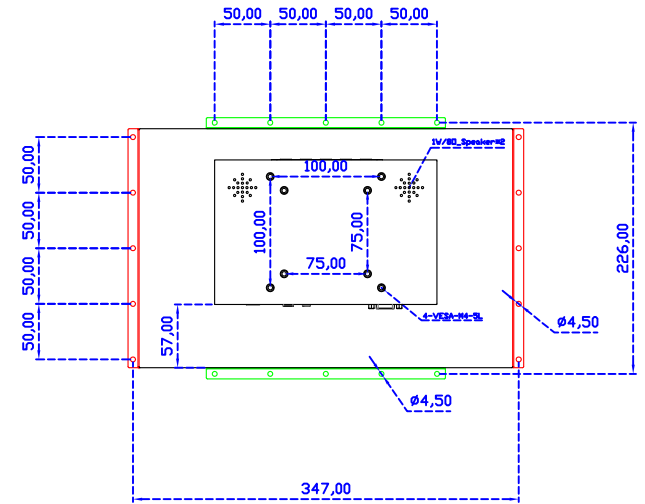
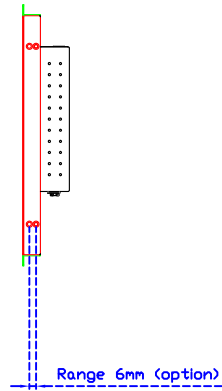
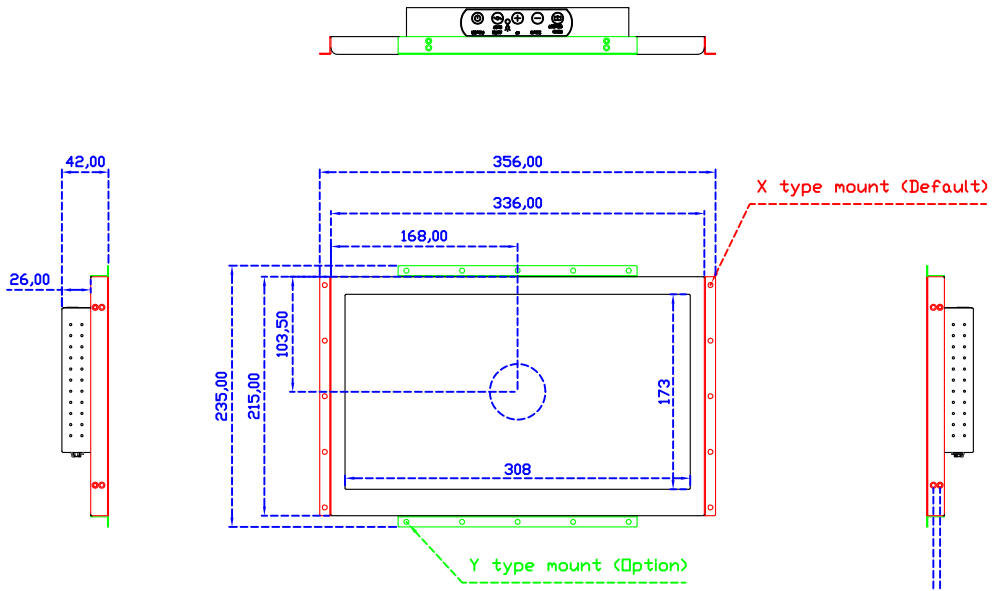


3 Year Warranty
LCD Panel 1 Year



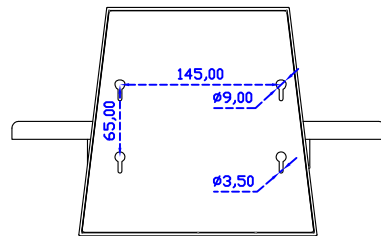
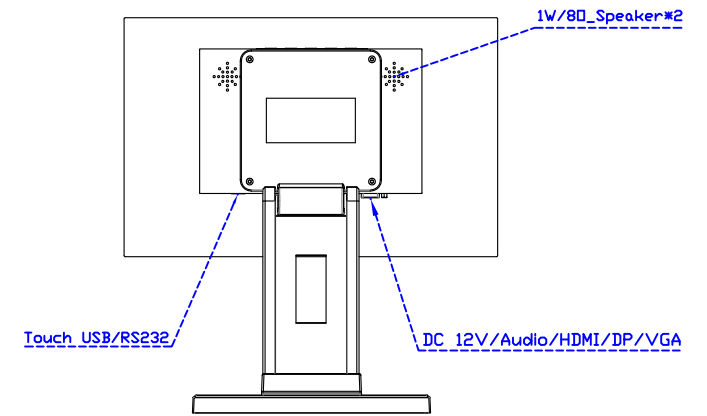
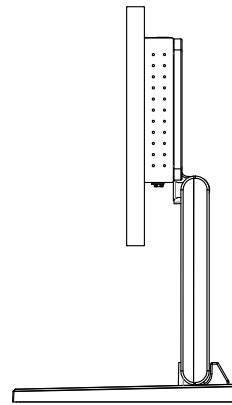
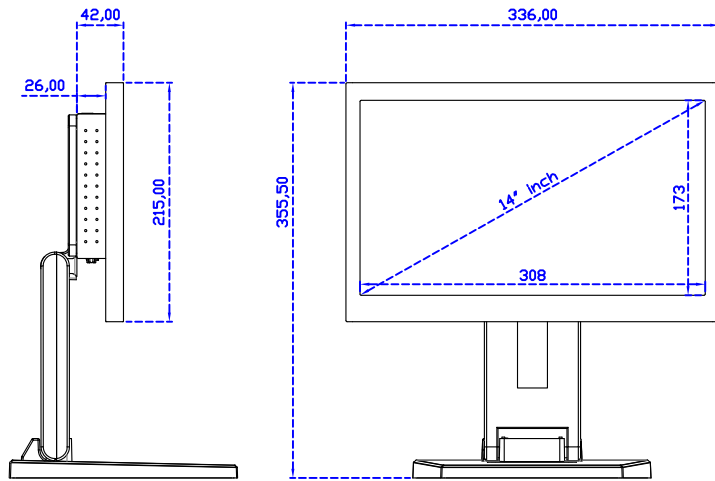
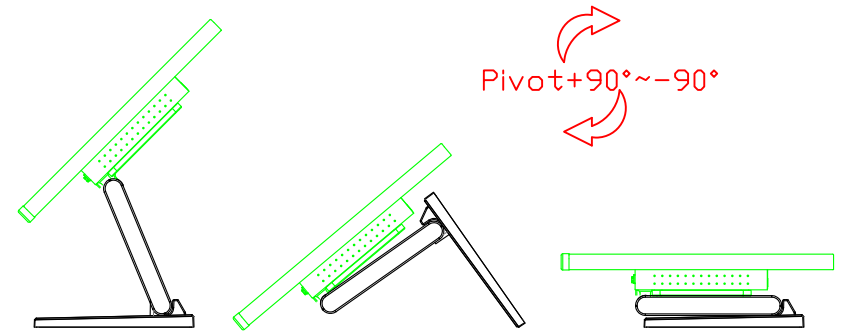
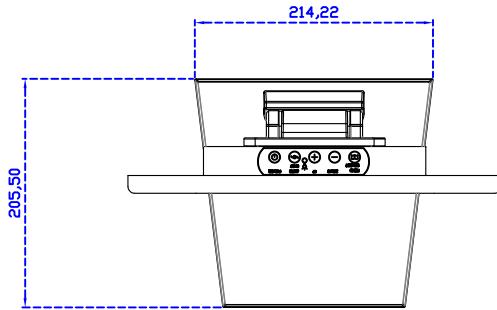
14" Touch Monitor.
(VESA Mount)

AIM-TMxxxx140-R03W



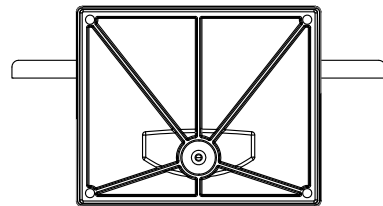
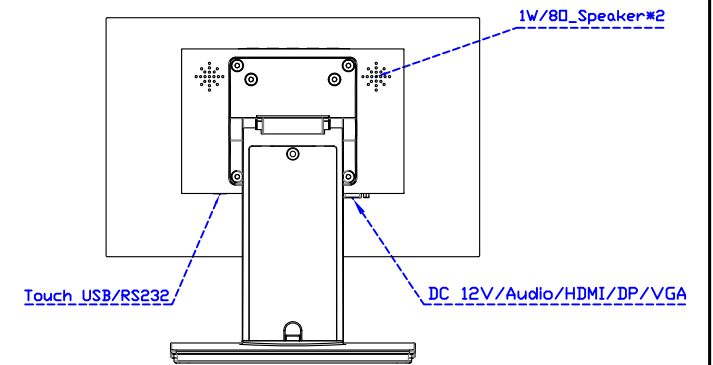
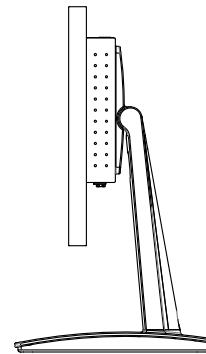
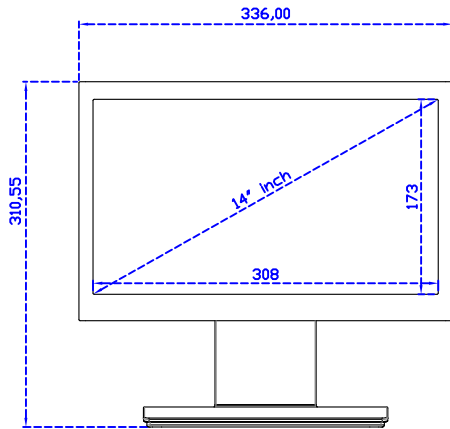
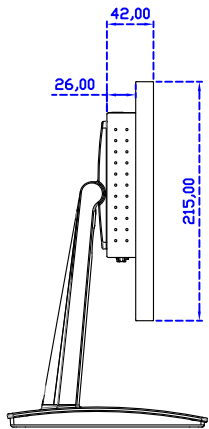
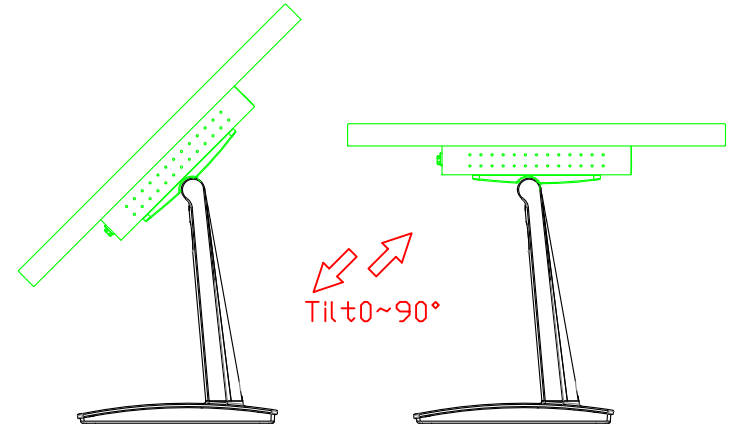
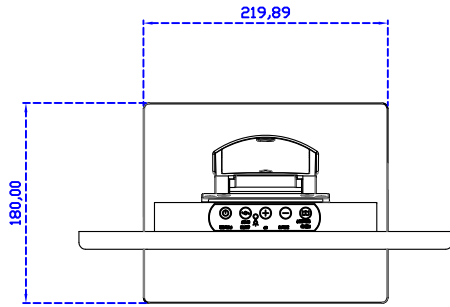
14" Embedded Touch Monitor.
(Open Frame)

AIM-TMOPxxxx140-R03W



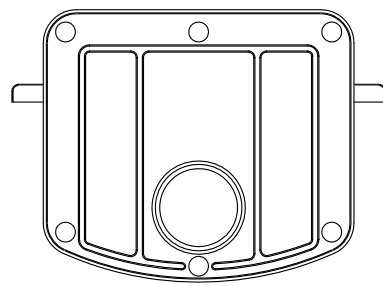
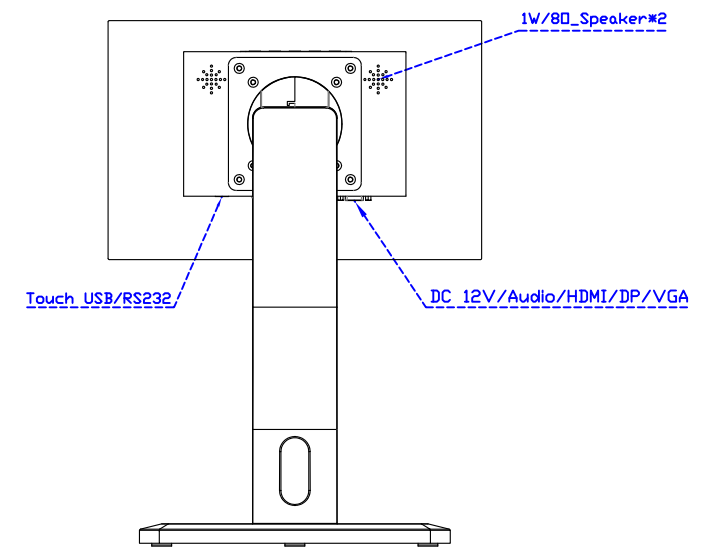
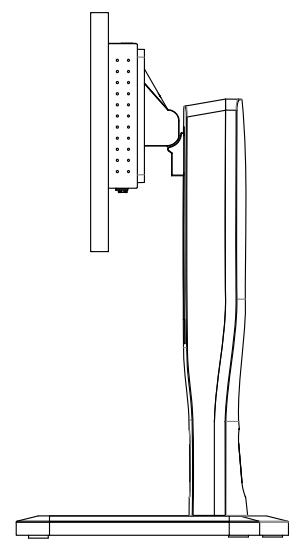
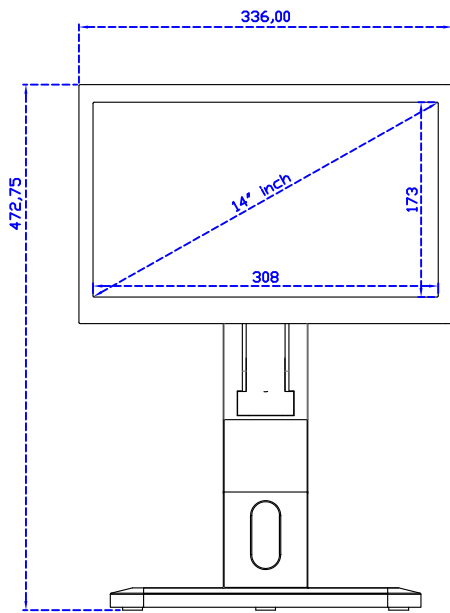
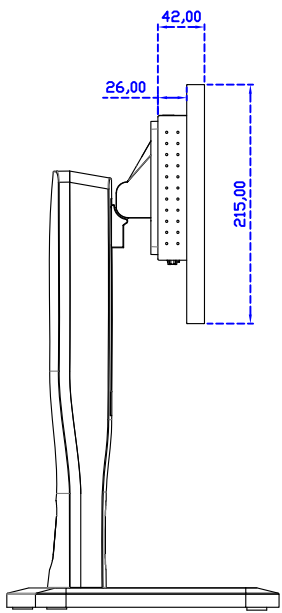
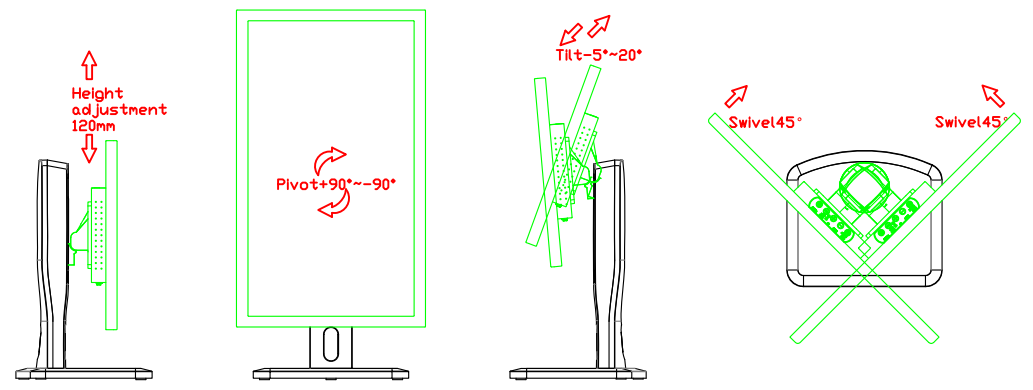
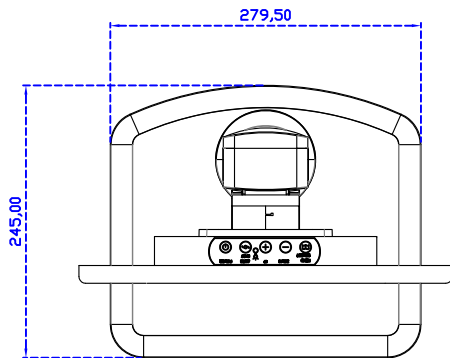
14" Desktop Touch Monitor.
(Foldable Stand)

AIM-TMxxxx140-R03W A



14" Desktop Touch Monitor.
(POS Stand)

AIM-TMxxxx140-R03W V



14" Desktop Touch Monitor.
(Ergonomic Stand)

AIM-TMxxx140-R03W Y