

17" Resistive Single Touch Monitor

Products application :

- POS Terminal
- Industrial PC
- Kiosk
- Gaming
- Medical apparatus
- Personal computer
- Mobile GPS
- Office automation
- Security system of the house
- Car-mounted amusement
- Military equipment
- Communicate



AIM-TM5R170-V07



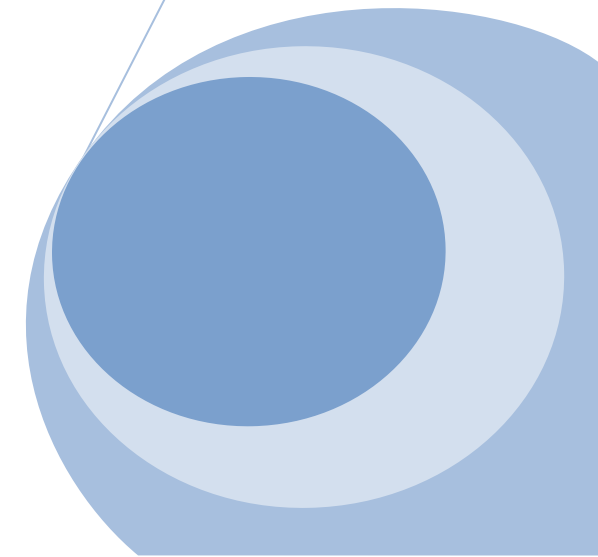
AIM-TM5R170-V W07

Order information :

Touch interface :

Mount type :

AIM-TM5R170-G07N (Black)	USB	VESA (Without Stand)
AIM-TM5R170-G08N (Black)	RS232	
AIM-TM5R170-GW07N (White)	USB	VESA (Without Stand)
AIM-TM5R170-GW08N (White)	RS232	
AIM-TM5R170-G07 (Black)	USB	Foldable Stand (1.4kg)
AIM-TM5R170-G08 (Black)	RS232	
AIM-TM5R170-P07 (Black)	USB	Photo Stand (1kg)
AIM-TM5R170-P08 (Black)	RS232	
AIM-TM5R170-V07 (Black)	USB	POS Stand (1.2kg)
AIM-TM5R170-V08 (Black)	RS232	
AIM-TM5R170-V W07 (White)	USB	POS Stand (1.2kg)
AIM-TM5R170-V W08 (White)	RS232	



17" Resistive Single Touch Monitor

Display Specifications :

Active Area	337 × 270 mm
Pixel Pitch	0.264 × 0.264 mm
Brightness	250 cd/m ²
Contrast Ratio	1000 : 1
Resolution	1280 x 1024 (SXGA)
Viewing Angle	L/R176° ; U/D170°
Response Time	5ms (Tr + Tf)
Display Colors	16.7M
Display Modes	640×480 ; 800×600 ; 1024×768 ; 1280×1024
Signal input	VGA ; Audio ; Display Port ; HDMI
Speaker	1W (8Ω) × 1
OSD Keyboard	⊙Power ⊙Auto adjust ⊕ ⊖ ⊙Menu
Power Source	DC 12V (DC Jack Φ2.1mm)
Power Consumption	≤15w
Storage 、 Operation	-20~60°C ; 0~50°C
VESA	75×75 mm
Casing Colors	Black (White)
Casing Size 、 Weight	378 × 317.5 × 48.6 mm ; 3.3 kg (W×H×D) (Without Stand)
Carton 、 gross weight	440 × 455 × 155 mm ; 4.6 kg (W×H×D)
Accessory	VGA cable / HDMI cable / Audio cable / AC100~240V / Adapter / Power cable / USB or RS232 cable / Touch pen / Cleaning wipes / Driver Disk ※DP cable (Optional)

※AiM Touch has the right to update specs without further notice



AIM-TM5R170-G07



AIM-TM5R170-P07



17" Resistive Single Touch Monitor

Touch Feature :

Input Method	Finger, gloved hand, or stylus activation
Activation Force	≤50g
Linearity	≤1.5%
Surface	≥3H
Life Time	≥35,000,000
Application	Writing and Signature Capture Capability

Software Feature :

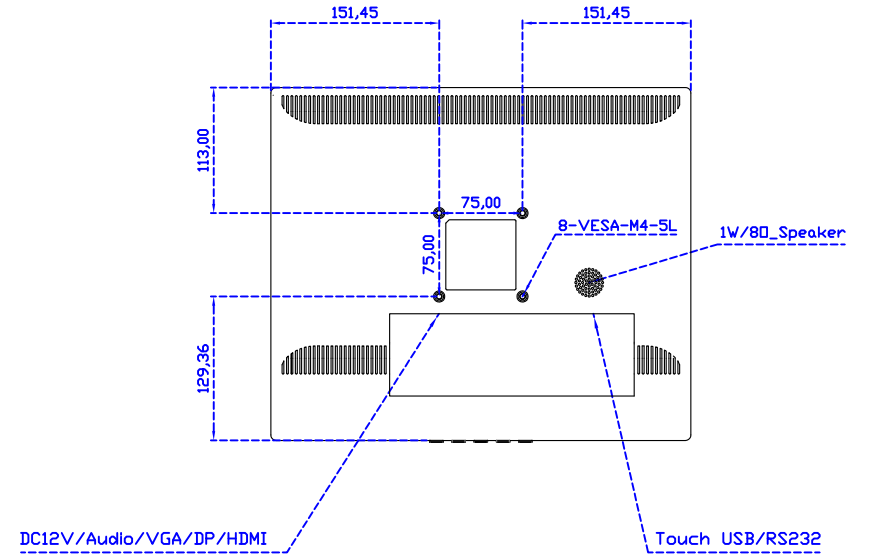
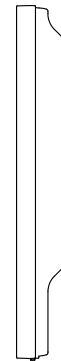
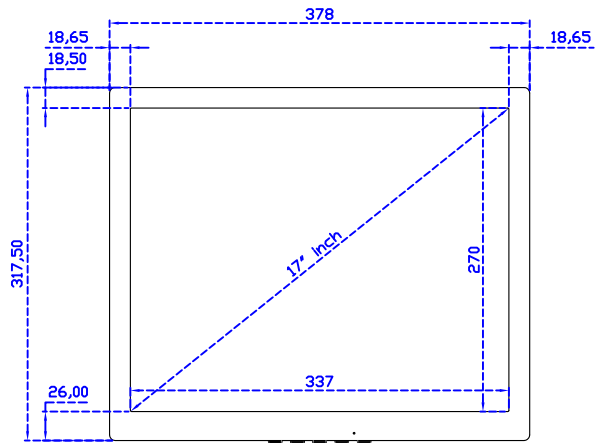
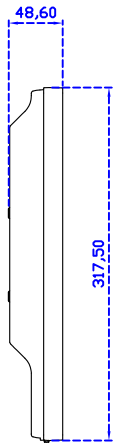
Calibration	Fast full oriental 4 points position
Compensation	Edge compensation. Accuracy 25 points linearity compensation
Draw Test	Position and linearity verification
Controller	Support multiple controllers
Languages	English · Simple Chinese · Traditional Chinese · Japanese · French · German · Spanish · Korean · Arabic · Czech · Danish · Dutch · Greek · Hungarian · Italian · Norwegian · Russian · Polish · Portuguese · Slovenian · Swedish · Thai · Turkish
Mouse Emulator	Right / left button emulation. Auto Right / left Click (PDA function)
Touch Style	Drawing a Mode · button a Mode · Touch Off/ on Switch
Double Click	Configurable double click speed · Configurable double click area
Sound Modes	No sound · Touch down · Touch up
COM Port Support	COM1 ~ COM255 for Windows and Linux COM1 ~ COM8 for MS- DOS
Display Support	display rotation · Support multiple monitors
Support O.S	All Windows-32/64bit O.S Android ; Linux ; MAC



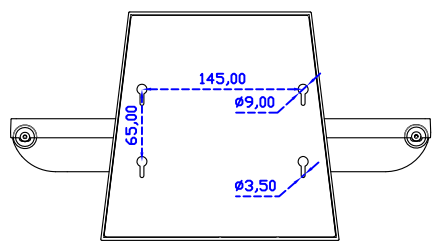
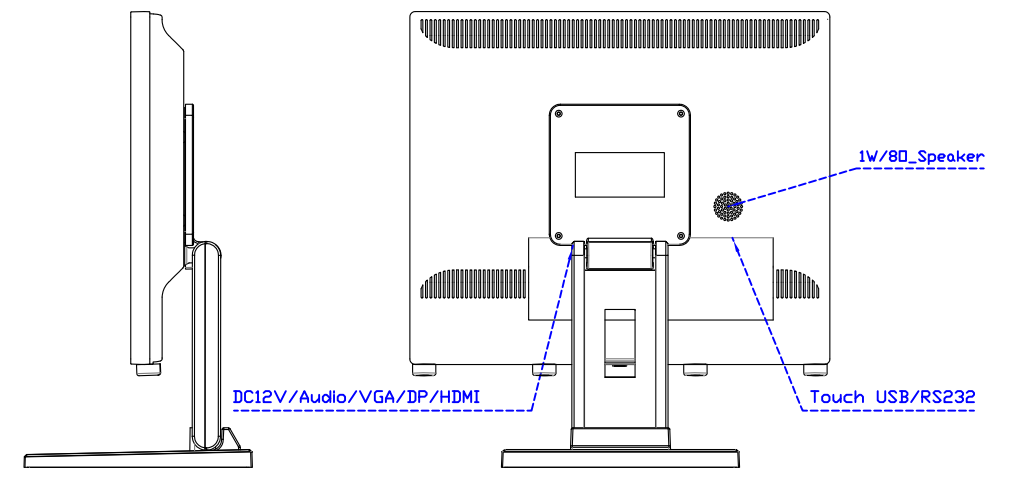
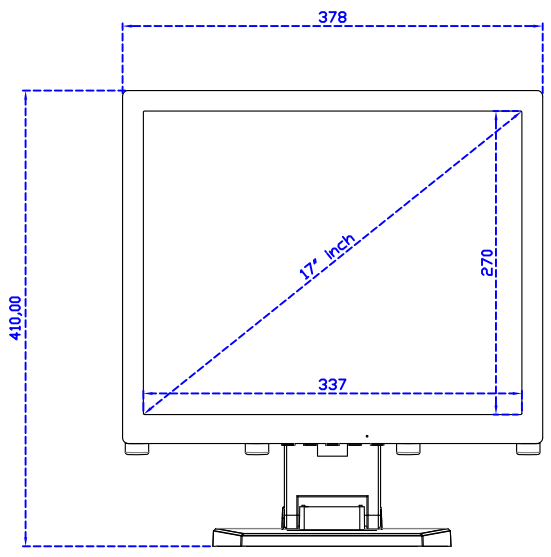
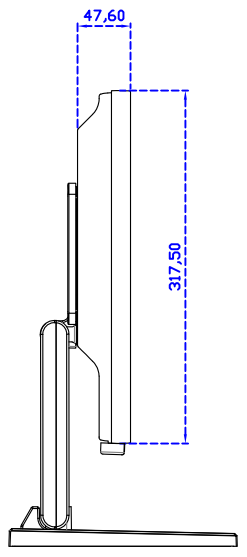
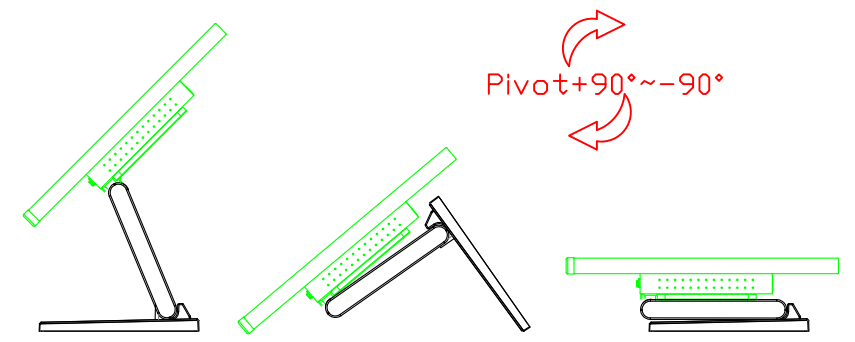
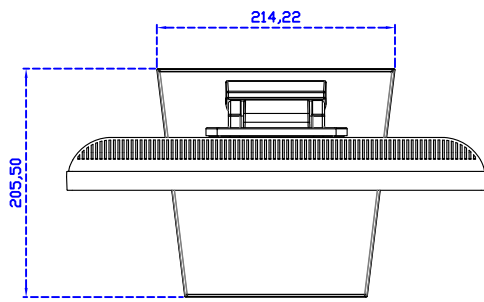
AIM-TM5R170-V07



3 Year Warranty
LCD Panel 1 Year

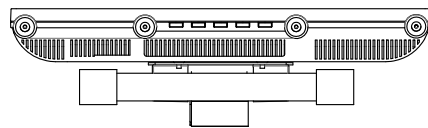
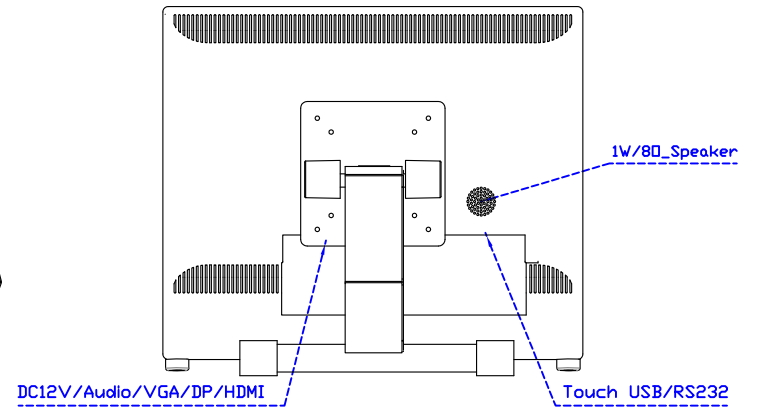
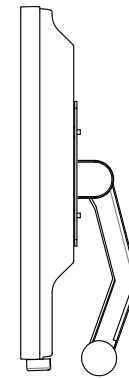
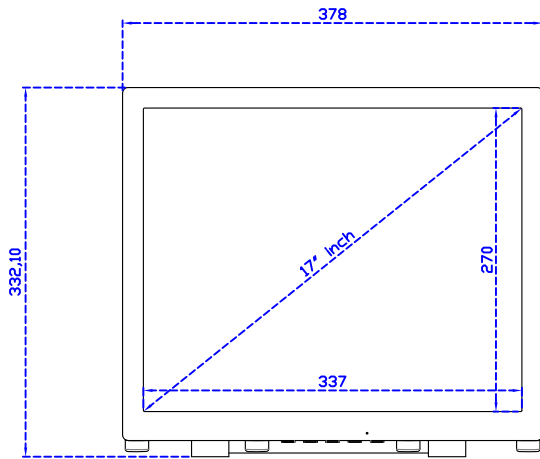
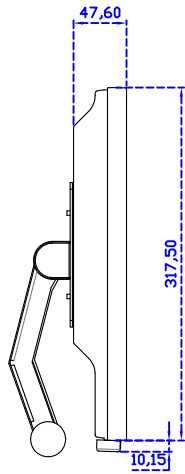
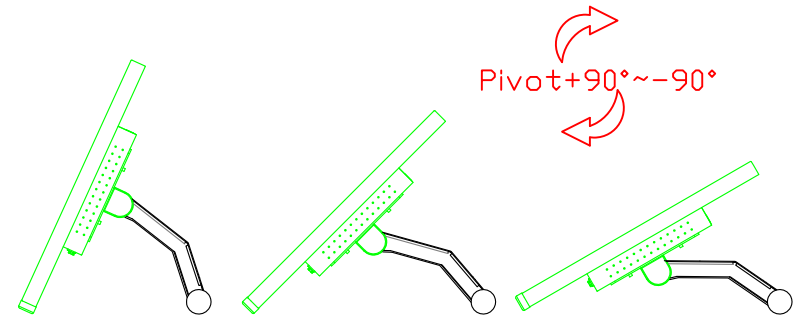
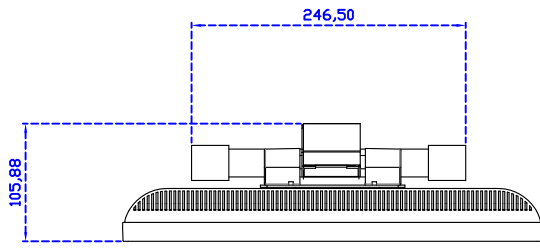


<p>17" Touch Monitor. (VESA Mount)</p>
<p>AIM-TMxxxx170-G07 N</p>



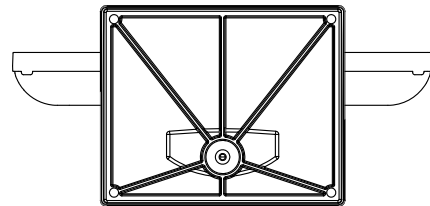
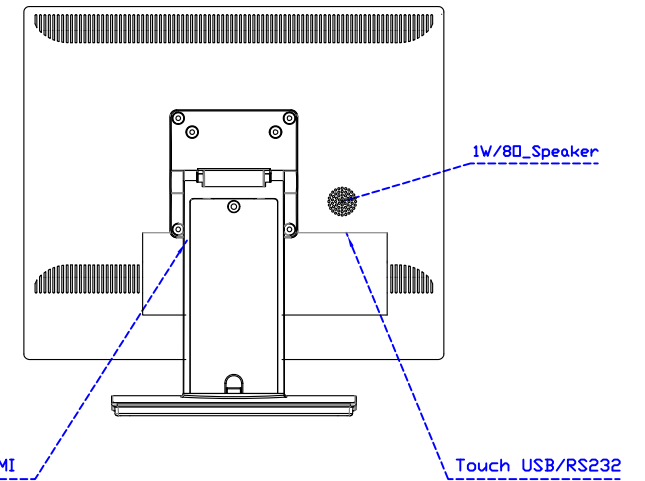
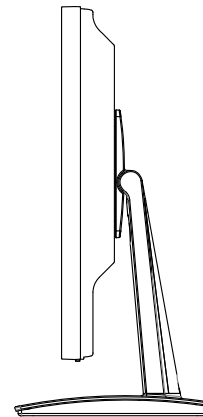
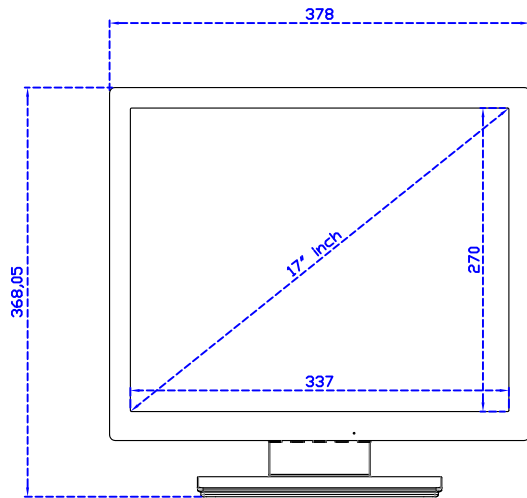
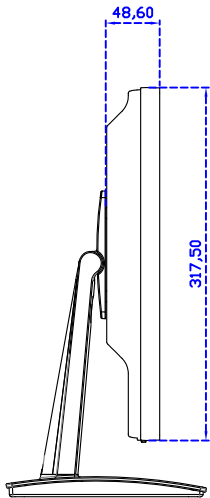
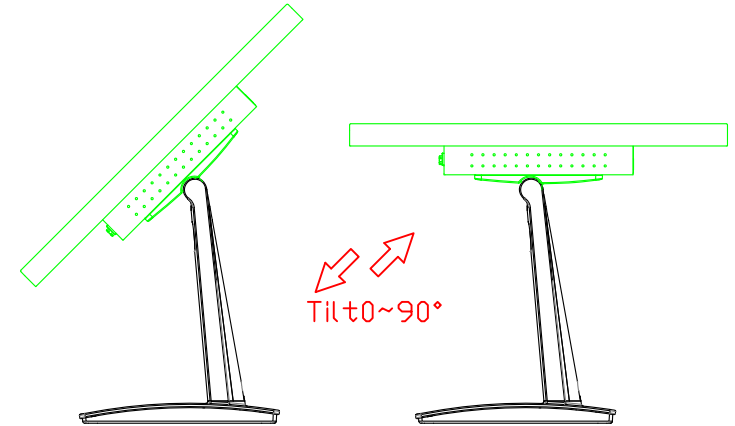
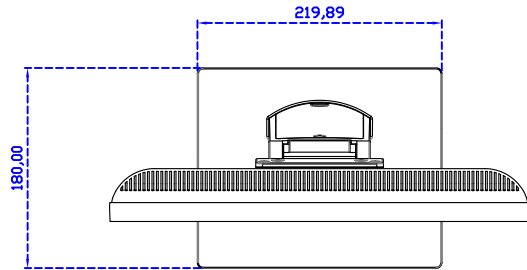
17" Desktop Touch Monitor.
(Foldable Stand)

AIM-TMxxx170-G07



17" Desktop Touch Monitor.
(Photo Stand)

AIM-TMxxx170-P07



17" Desktop Touch Monitor.
(POS Stand)

AIM-TMxxxx170-V07