

17" Infrared Ray Multi-Touch Monitor

Products application :

- POS Terminal
- Industrial PC
- Kiosk
- Gaming
- Medical apparatus
- Personal computer
- Mobile GPS
- Office automation
- Security system of the house
- Car-mounted amusement
- Military equipment
- Communicate



AIM-TMIR170-R01



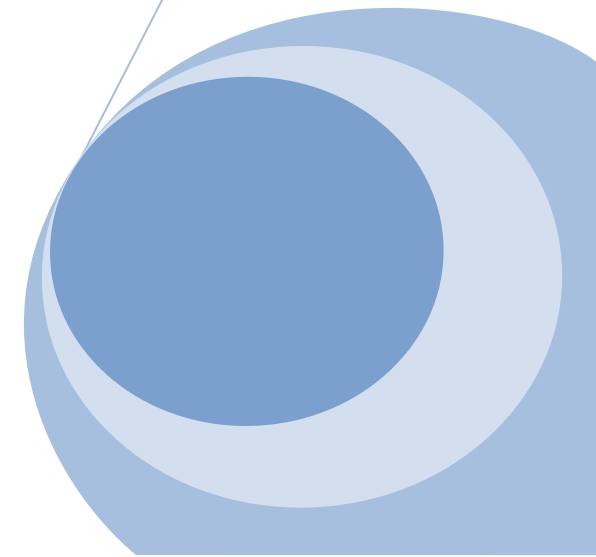
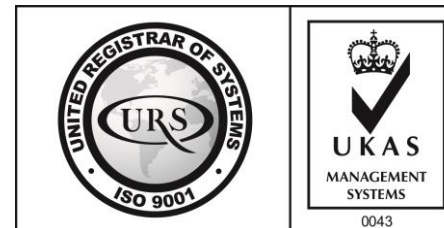
AIM-TMOPIR170-R01

Order information :

Touch interface :

Mount type :

AIM-TMIR170-R01	USB (Multi-Touch*2)	VESA (Without Stand)
AIM-TMIR170-R02	RS232 (Single-Touch)	
AIM-TMOPIR170-R01	USB (Multi-Touch*2)	Embedded (Open Frame)
AIM-TMOPIR170-R02	RS232 (Single-Touch)	
AIM-TMIR170-R01 A	USB (Multi-Touch*2)	Foldable Stand (1.4kg)
AIM-TMIR170-R02 A	RS232 (Single-Touch)	
AIM-TMIR170-R01 P	USB (Multi-Touch*2)	Photo Stand (1kg)
AIM-TMIR170-R02 P	RS232 (Single-Touch)	
AIM-TMIR170-R01 V	USB (Multi-Touch*2)	POS Stand (1.2kg)
AIM-TMIR170-R02 V	RS232 (Single-Touch)	



17" Infrared Ray Multi-Touch Monitor

Display Specifications :

Active Area	337 × 270 mm
Pixel Pitch	0.264 × 0.264 mm
Brightness	250 cd/m ²
Contrast Ratio	1000 : 1
Resolution	1280 x 1024 (SXGA)
Viewing Angle	L/R176° ; U/D170°
Response Time	5ms (Tr + Tf)
Display Colors	16.7M
Display Modes	640×480 ; 800×600 ; 1024×768 ; 1280×1024
Signal input	VGA ; Audio ; DVI
Speaker	1W (8Ω) × 2
OSD Keyboard	⊙Power ⊙Auto adjust ⊕ ⊖ ⊙Menu
Power Source	DC 12V (DC Jack Φ2.1mm)
Power Consumption	≤15w
Storage · Operation	-20~60°C ; 0~50°C
VESA	75×75 ; 100×100 mm
Casing Colors	Black (OEM other colors)
Casing Size · Weight	381 × 313 × 52 mm ; 3.9 kg (W×H×D) (Without Stand)
Carton · gross weight	550 × 395 × 170 mm ; 5.4 kg (W×H×D)
Accessory	VGA cable / Audio cable / AC100~240V Adapter / Power cable / USB cable / Cleaning wipes / Driver Disk ※DVI cable (Optional)

※AiM Touch has the right to update specs without further notice.



AIM-TMIR170-R01 A



AIM-TMIR170-R01 P



17" Infrared Ray Multi-Touch Monitor

Touch Feature :

Input Method	It detects anything that blocks lights
Linearity	≤2.5mm
Surface	≥7H
Life Time	Unlimited
Application	Writing and Signature Capture Capability

Software Feature :

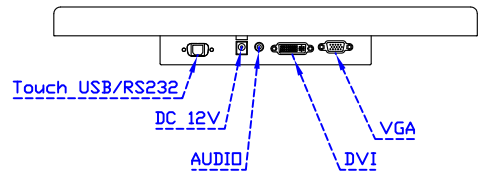
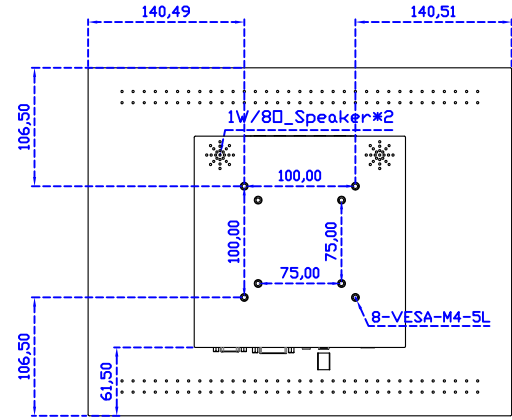
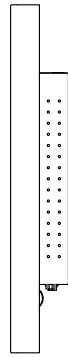
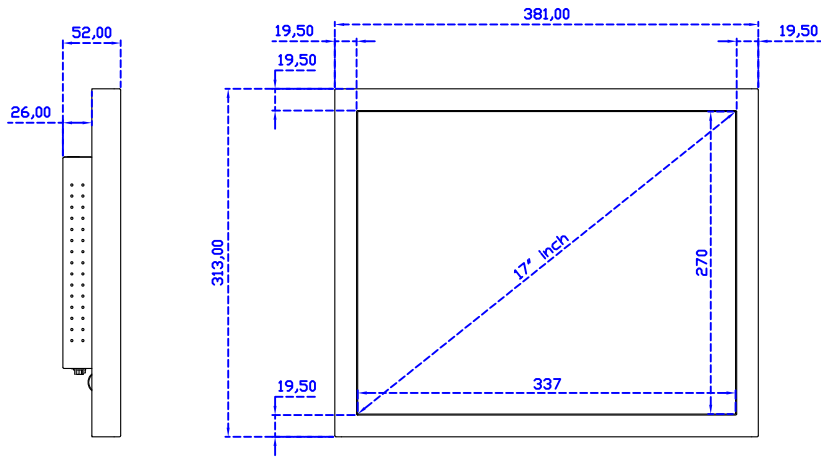
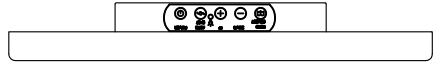
Calibration	4 points or 16 points or 25 points
Draw Test	Position and linearity verification
Controller	Support multiple controllers
Languages	English · Simple Chinese · Traditional Chinese · Japanese · German
Mouse Emulator	Right / left button emulation. Auto Right / left Click (PDA function)
Touch Style	Drawing a Mode · button a Mode · Touch Off/ on Switch
Double Click	Configurable double click speed · Configurable double click area
Sound Modes	No sound · Touch down · Touch up
Display Support	display rotation · Support multiple monitors
Division Pattern	Support two halves and four parts with touch function, you can also create your own division patterns.
Settings:	
Edge compensation	Support edge compensation and you can also add your own numbers for it.
Support O.S	All Windows-32/64bit O.S Android ; Linux ; MAC



AIM-TMIR170-R01 V

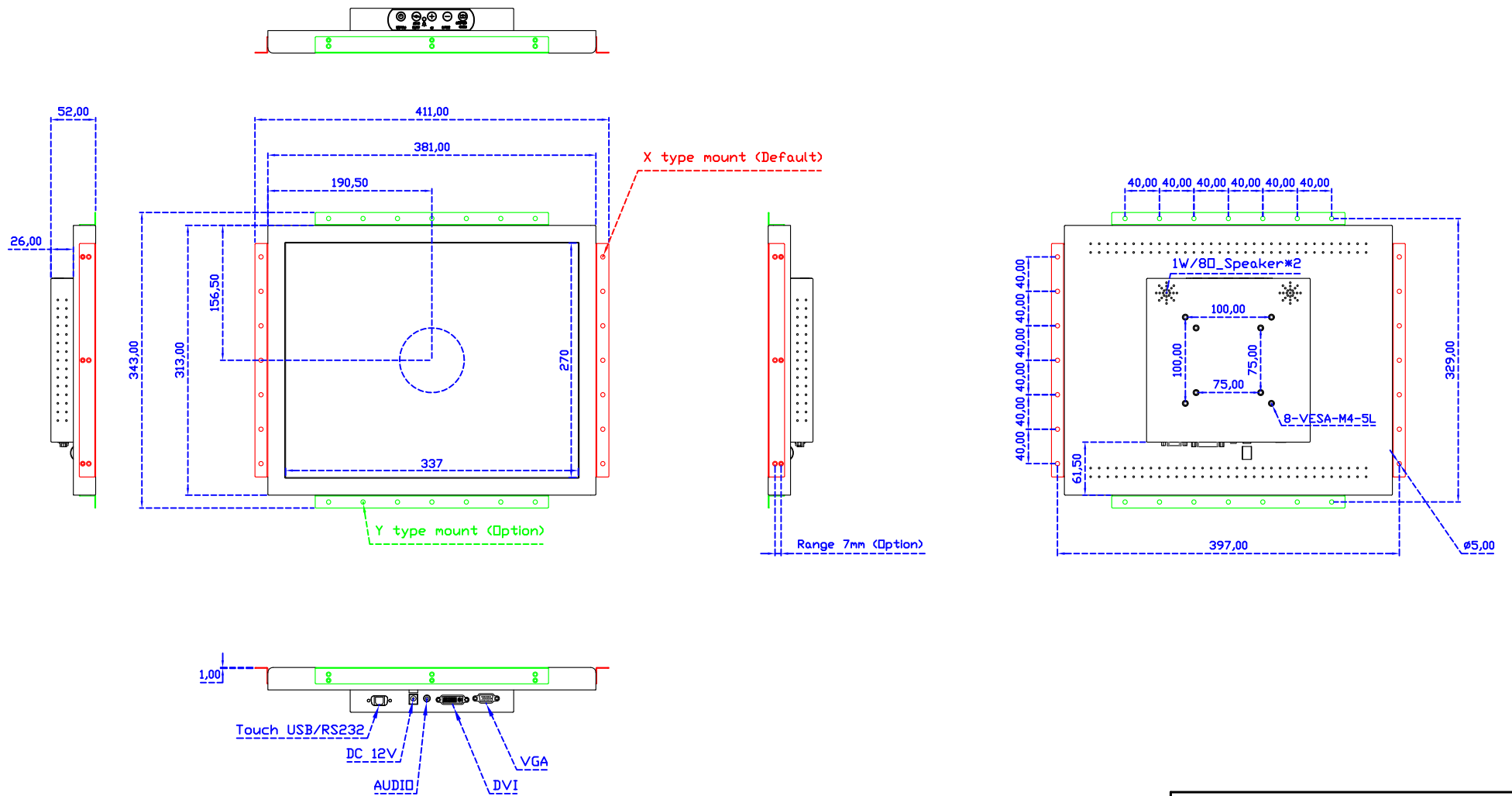


3 Year Warranty
LCD Panel 1 Year



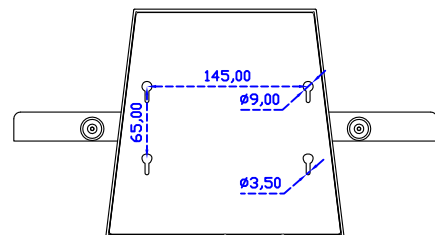
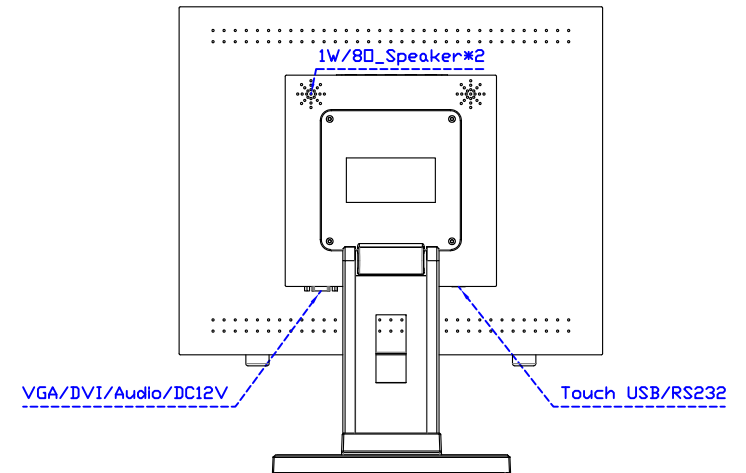
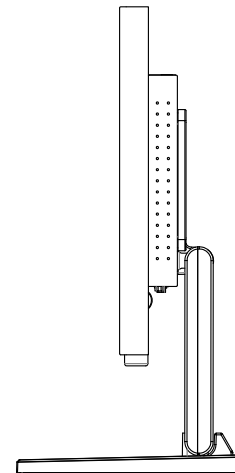
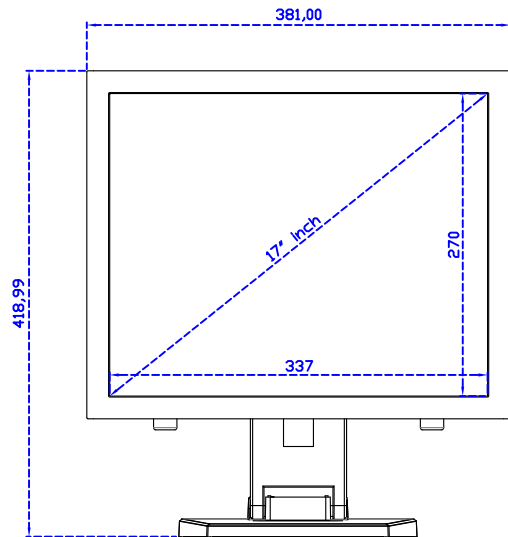
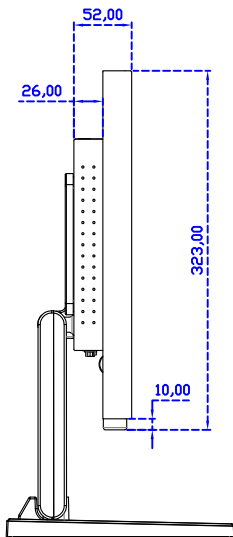
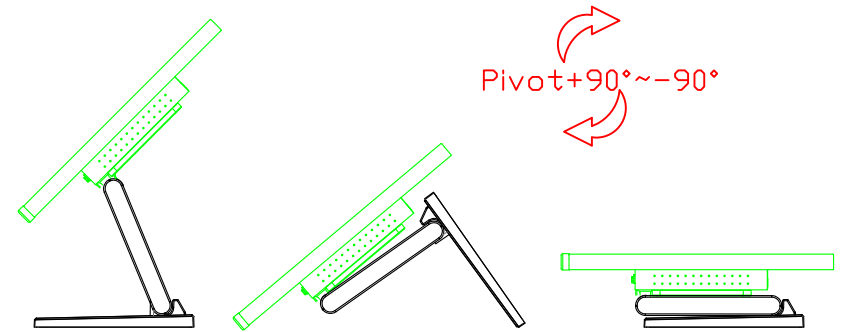
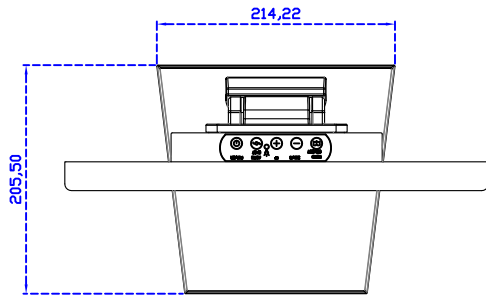
17" Touch Monitor.
(VESA Mount)

AIM-TMIR170-R01



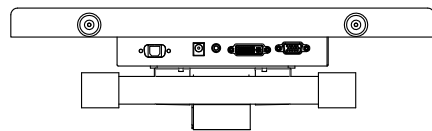
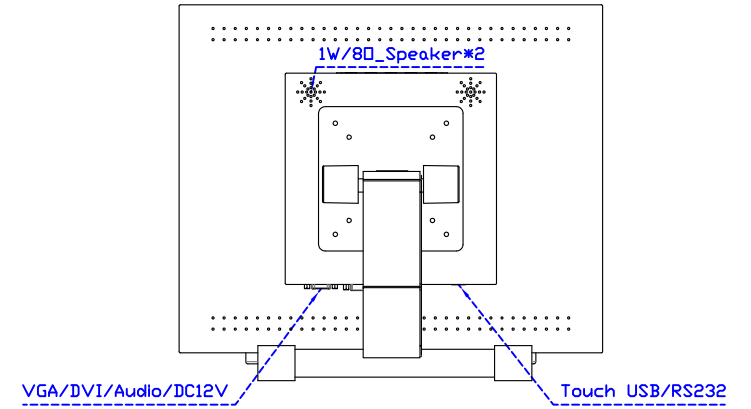
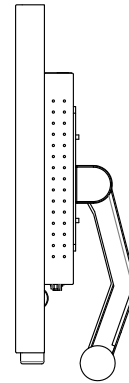
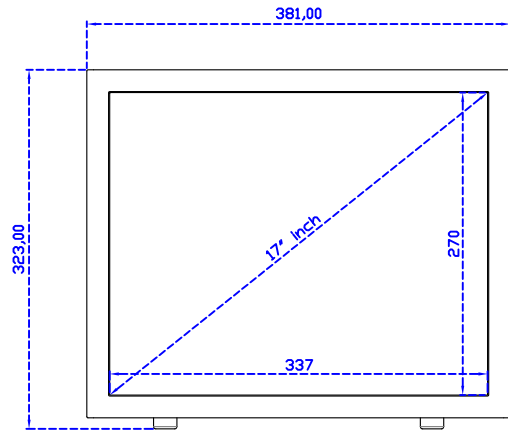
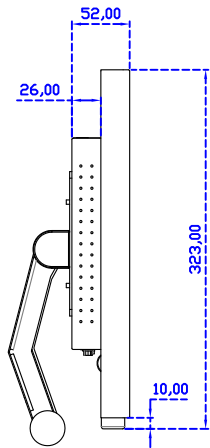
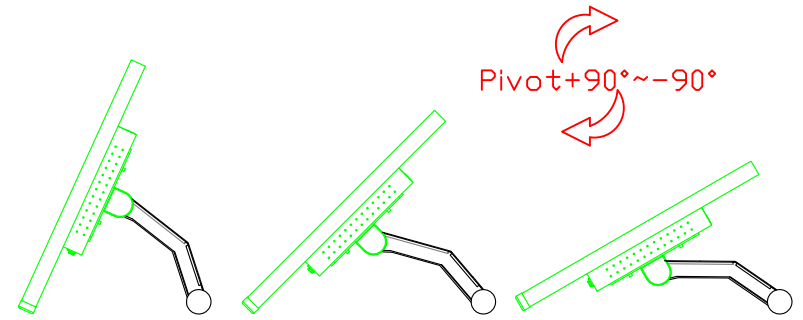
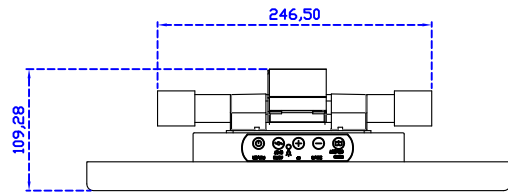
17"Embedded Touch Monitor.
(Open Frame)

AIM-TM0PIR170-R01



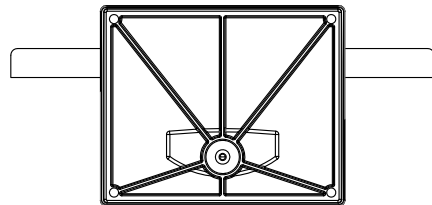
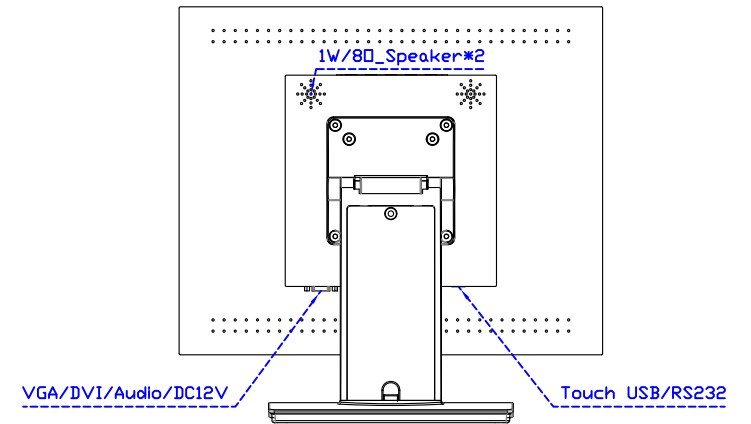
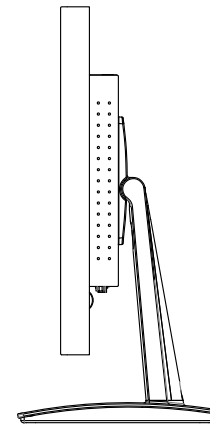
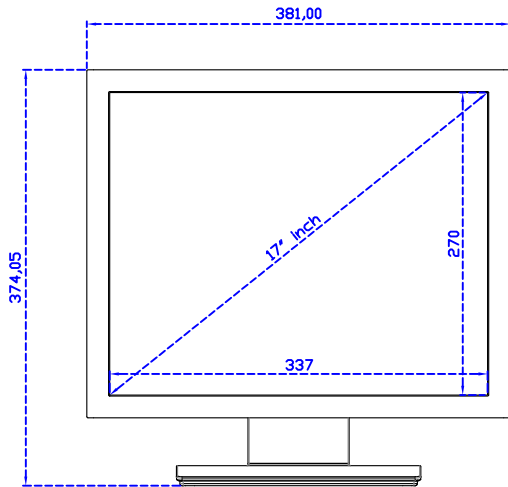
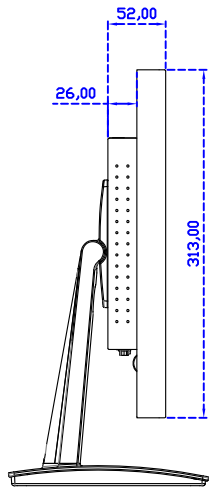
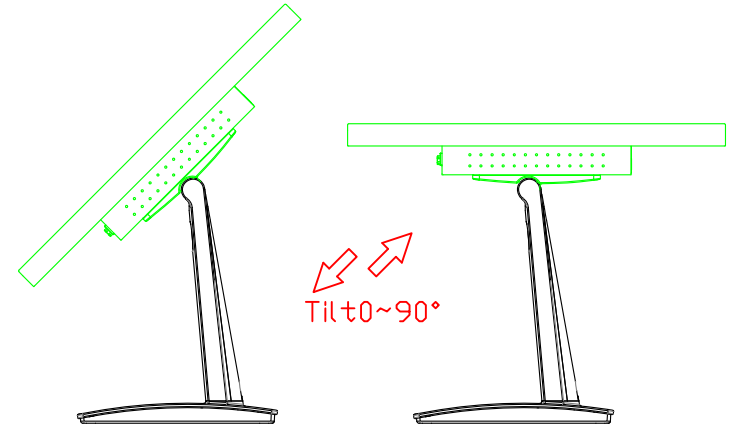
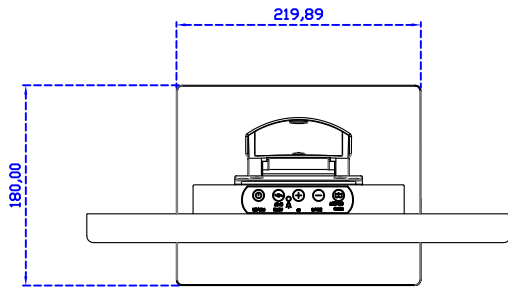
17" Desktop Touch Monitor.
(Foldable Stand)

AIM-TMIR170-R01 A



17" Desktop Touch Monitor.
(Photo Stand)

AIM-TMIR170-R01 P



17" Desktop Touch Monitor.
(POS Stand)

AIM-TMIR170-R01 V