

22" Resistive Single Touch Monitor (Embedded)

Products application :

- POS Terminal
- Industrial PC
- Kiosk
- Gaming
- Medical apparatus
- Personal computer
- Mobile GPS
- Office automation
- Security system of the house
- Car-mounted amusement
- Military equipment
- Communicate



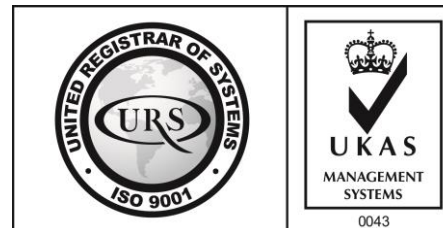
AIM-TMOP5R220-R01W

Order information :

Touch interface :

Mount type :

AIM-TMOP5R220-R01W	USB	Embedded (Open Frame)
AIM-TMOP5R220-R02W	RS232	
AIM-TMOP5R220-R03W	USB	Embedded (Open Frame)
AIM-TMOP5R220-R04W	RS232	



22" Resistive Single Touch Monitor (Embedded)

Display Specifications :

Active Area	473 × 296 mm
Pixel Pitch	0.282 × 0.282 mm
Brightness	250 cd/m ²
Contrast Ratio	1000 : 1
Resolution	1680 x 1050 (WSXGA)
Viewing Angle	L/R178° ; U/D170°
Response Time	5ms (Tr + Tf)
Display Colors	16.7M
Display Modes	640×480 ; 800×600 ; 1024×768 ; 1280×720 ; 1280×800 ; 1280×1024 ; 1360×768 ; 1440×900 ; 1680×1050
Signal input	VGA ; Audio ; DVI
Speaker	1W (8Ω) × 2
OSD Keyboard	⊙Power ⊙Auto adjust ⊕ ⊖ ⊙Menu
Power Source	DC 12V (DC Jack Φ2.1mm)
Power Consumption	≤21w
Storage 、 Operation	-20~60°C ; 0~50°C
VESA	75×75 ; 100×100 mm
Casing Colors	Black (OEM other colors)
Casing Size 、 Weight	496.2 × 322.6 × 50 mm ; 6 kg (W×H×D)
Carton 、 gross weight	667 × 400 × 170 mm ; 7.5 kg (W×H×D)
Accessory	VGA cable / Audio cable / AC100~240V Adapter / Power cable / USB or RS232 cable / Touch pen / Cleaning wipes / Driver Disk ※DVI cable (Optional)

※AiM Touch has the right to update specs without further notice



AIM-TMOP5R220-R01W

【 OSD Key at the bottom of the Monitor 】



22" Resistive Single Touch Monitor (Embedded)

Touch Feature :

Input Method	Finger, gloved hand, or stylus activation
Activation Force	≤50g
Linearity	≤1.5%
Surface	≥3H
Life Time	≥35,000,000
Application	Writing and Signature Capture Capability

Software Feature :

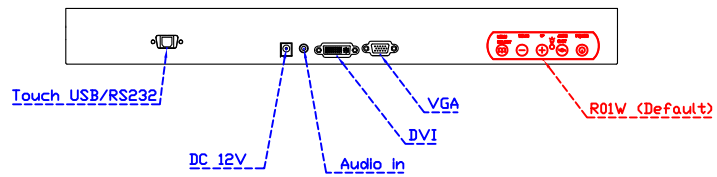
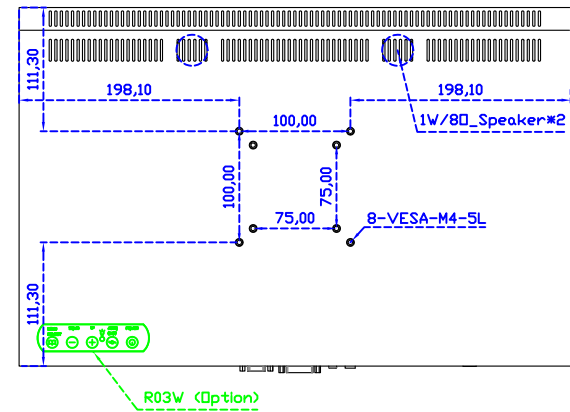
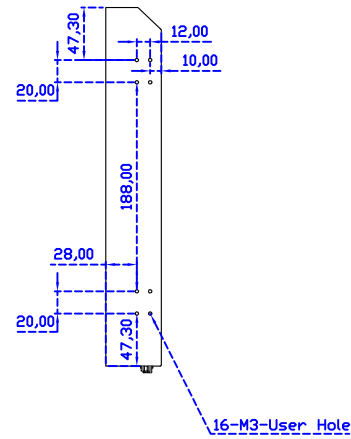
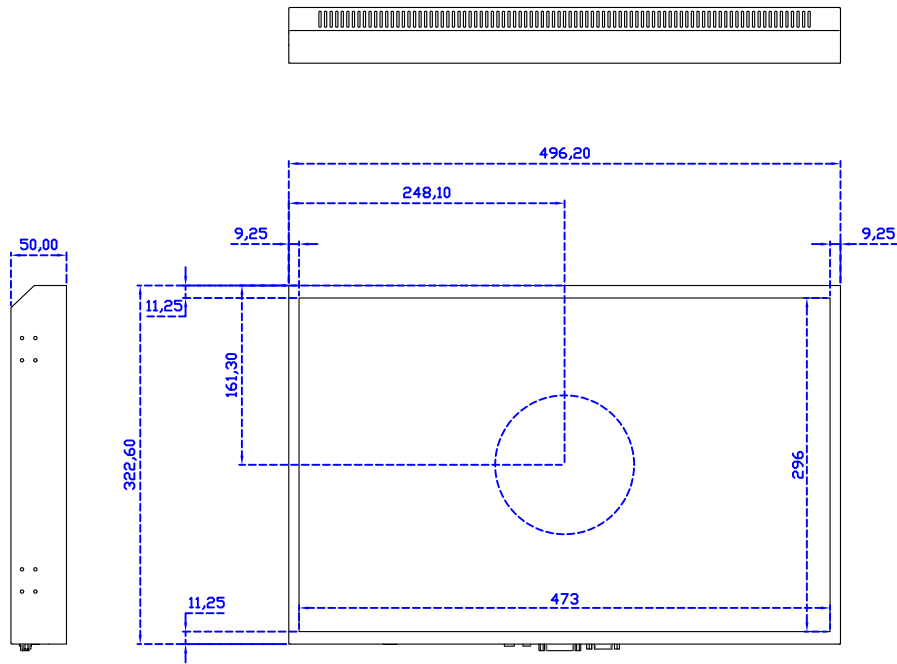
Calibration	Fast full oriental 4 points position
Compensation	Edge compensation. Accuracy 25 points linearity compensation
Draw Test	Position and linearity verification
Controller	Support multiple controllers
Languages	English · Simple Chinese · Traditional Chinese · Japanese · French · German · Spanish · Korean · Arabic · Czech · Danish · Dutch · Greek · Hungarian · Italian · Norwegian · Russian · Polish · Portuguese · Slovenian · Swedish · Thai · Turkish
Mouse Emulator	Right / left button emulation. Auto Right / left Click (PDA function)
Touch Style	Drawing a Mode · button a Mode · Touch Off/ on Switch
Double Click	Configurable double click speed · Configurable double click area
Sound Modes	No sound · Touch down · Touch up
COM Port Support	COM1 ~ COM255 for Windows and Linux COM1 ~ COM8 for MS- DOS
Display Support	display rotation · Support multiple monitors
Support O.S	All Windows-32/64bit O.S Android ; Linux ; MAC



AIM-TMOP5R220-R03W

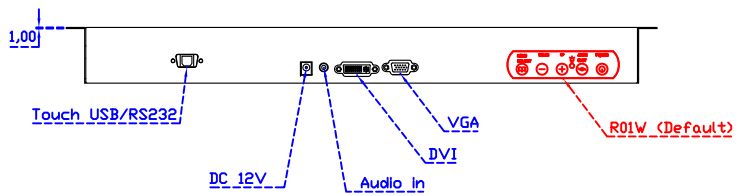
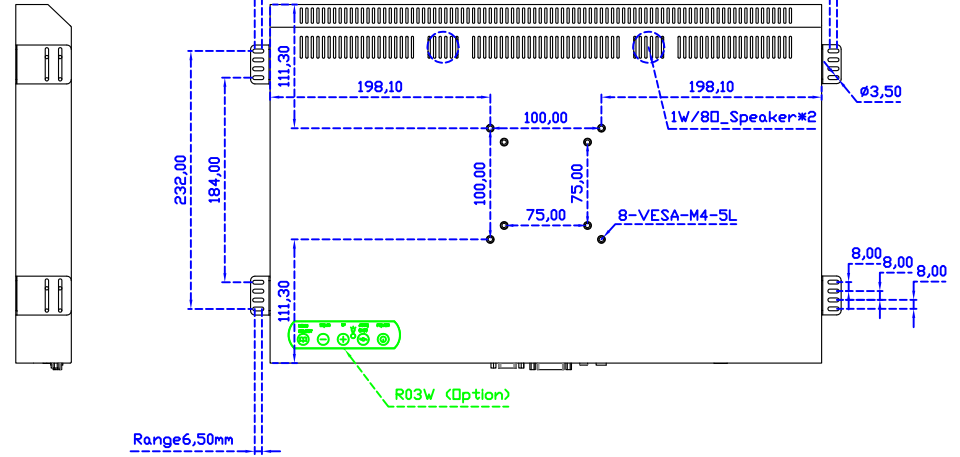
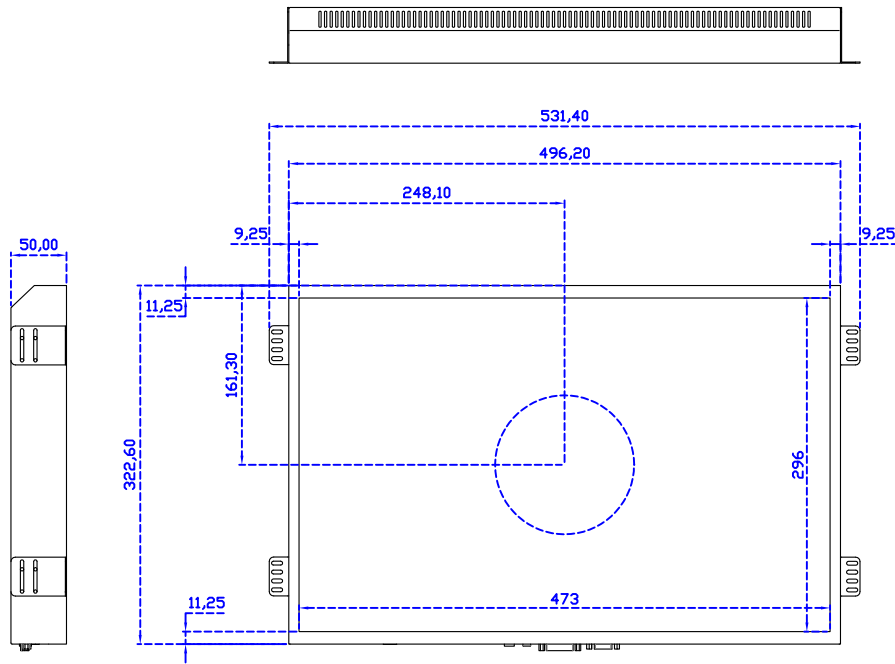
【 OSD Key on the back of the Monitor 】

3 Year Warranty
LCD Panel 1 Year



22" Embedded Touch Monitor.
 (Open Frame)
 (Narrow type)

AIM-TMOP5R220-R01W_R03W



22" Embedded Touch Monitor.
 (Open Frame)
 (VESA Mount)

AIM-TMOP5R220-R01W_R03W