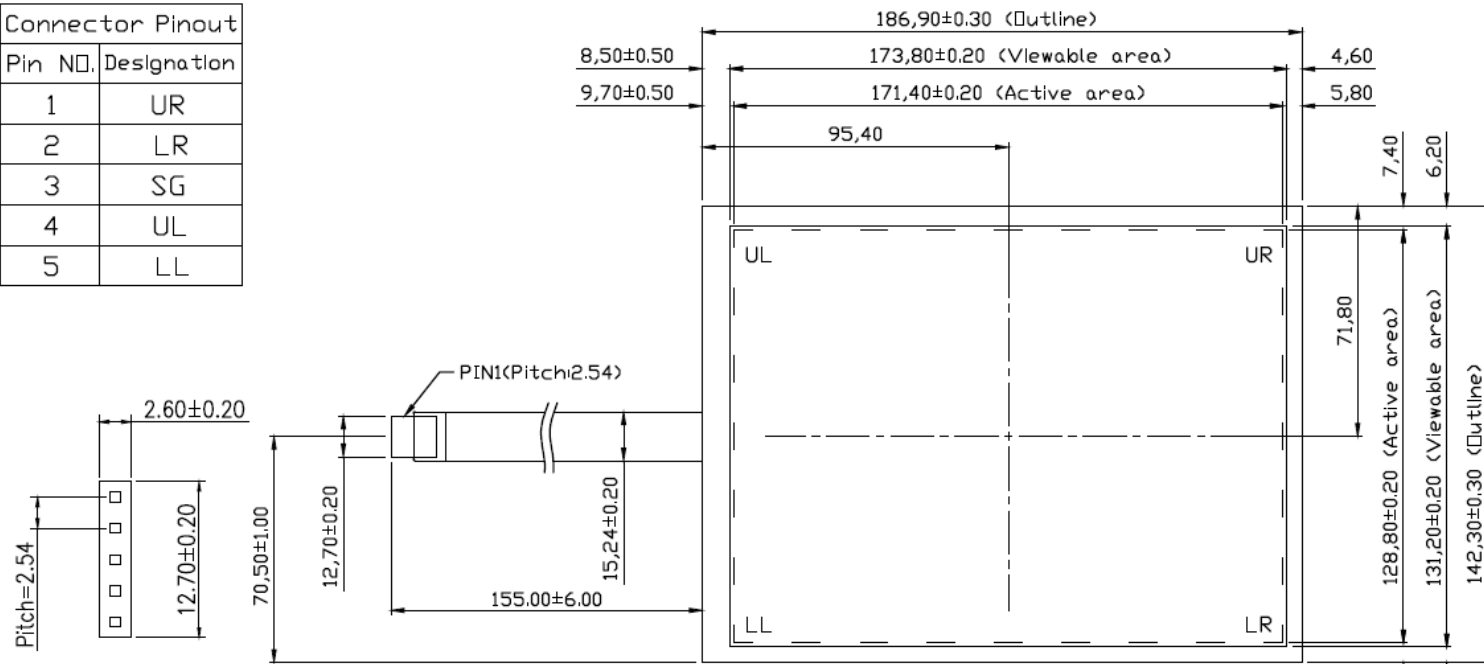
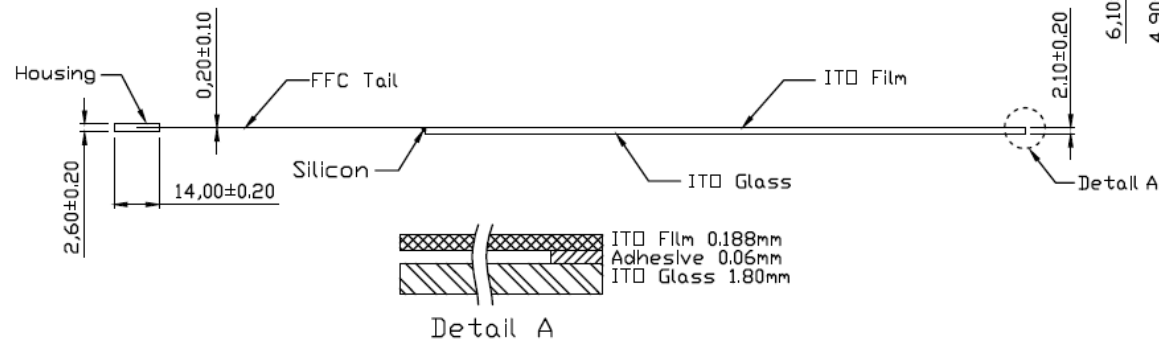



Connector Pinout	
Pin NO.	Designation
1	UR
2	LR
3	SG
4	UL
5	LL



HOUSING



瞄準科技有限公司 AIM TOUCH TECHNOLOGY CO.,LTD.	DATE : 2015/10/30	Part Number	ITO Film Type	Glass Type	Glass Thickness	Finished Part Thickness
	MODEL :	AIM-5R-0840-M05-G1N	ANTI GLARE	high temperature strengthen	1.1mm	1.35mm±0.2
 WWW.AIMTOUCH.COM	AIM-5R-0840-M05	AIM-5R-0840-M05-G16N	ANTI GLARE	chemical strengthen	1.6mm	1.9mm±0.2
		AIM-5R-0840-M05-G2N	ANTI GLARE	high temperature strengthen	1.8mm	2.1mm±0.2

NOTE : All indications are the millimeters.